

Installation Instructions



Tall Defender Bed Rack S/B18607



For Technical Support / Warranty Information please call 1-888-717-5797
Smittybilt, 1017 W 600 N, STE 4, Ogden, UT 84404

Introduction

Thank you for choosing Smittybilt accessories for your truck! If you would like to view our full range of available accessories, please visit us at www.smittybilt.com



Long Side Panels



Winches



Overland Accessories

Important Notes Before Starting

! IMPORTANT NOTE

Carefully read through this entire instruction manual thoroughly before attempting to install this part.
Photos may vary from actual part. Installation will remain the same.

! WARNING

Serious injury can occur when working on vehicles alone.
 When possible, work with another person to reduce risk of injury from strain or other dangers that can occur when working alone.

The following tools will be required to complete the installation of this part:

TOOLS REQUIRED

6mm Hex Key Wrench (Allen Wrench)	Measuring Tape	13mm Wrench
13mm Socket	Socket Wrench	



For Technical Support / Warranty Information please call 1-888-717-5797
 Smittybilt, 1017 W 600 N, STE 4, Ogden, UT 84404

Box Contents & Technical Information

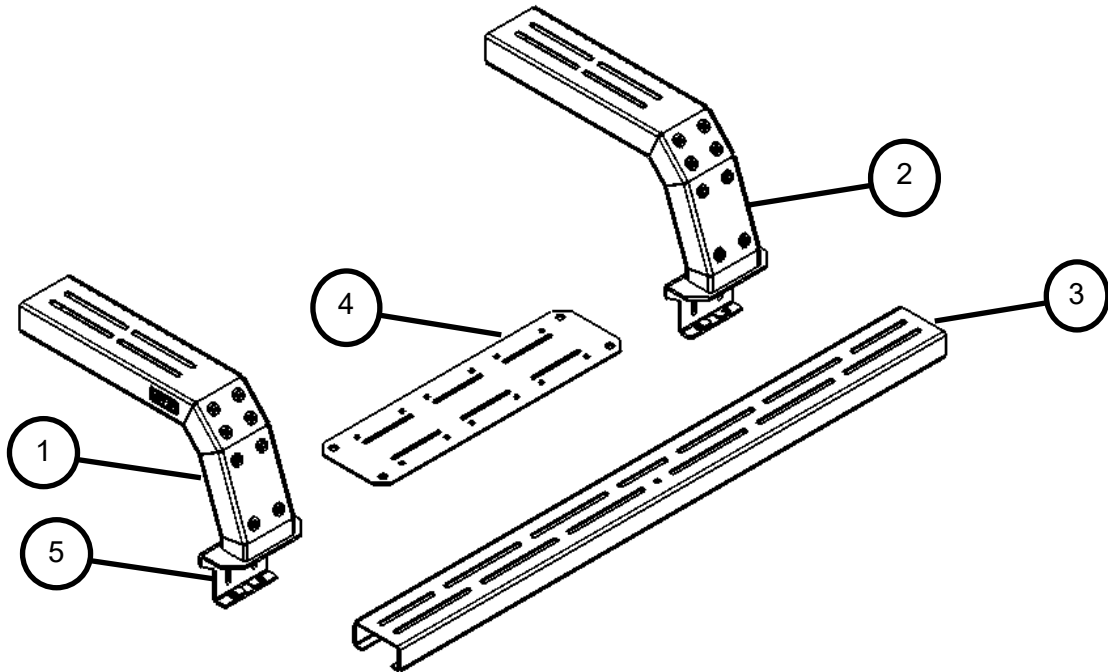
Box Contents



IMPORTANT NOTE

Note: Confirm all box contents against the provided bill of materials.

Photos are for reference, actual part may vary.



Tall Defender Bed Rack		
Item	DESCRIPTION	QTY
1	TALL UPRIGHT W/ HEX RIVETS W/ LOGO	1
2	TALL UPRIGHT W/ HEX RIVETS	5
3	C CHANNEL CROSSMEMBER	3
4	SIDE PANEL MULTIPLE SLOTS	4
5	NEOPRENE FOAM SHEET	6
	AWNING BRACKETS	2



For Technical Support / Warranty Information please call 1-888-717-5797
Smittybilt, 1017 W 600 N, STE 4, Ogden, UT 84404

Box Contents & Technical Information

Box Contents

CROSSMEMBER HARDWARE	
QTY	DESCRIPTION
48	M8 FLAT WASHER
24	M8-1.25 NYLOCK NUT
24	M8-1.25x20MM HEX BOLT

ATTACHMENT HARDWARE	
QTY	DESCRIPTION
12	M8-1.25MM T-SLOT NUT
12	EXTRUDED CLAMP M8-1.25 THREAD
24	M8-1.25x30 HEX BOLT
12	M8 FLAT WASHER
12	M8-1.25 HEX NUT
2	1.0ML BLUE THREAD LOCKER

SIDE PANEL HARDWARE	
QTY	DESCRIPTION
16	M10-1.5x20 BUTTON HEAD BOLT
16	M10 SPLIT LOCK WASHER
16	M10 FLAT WASHER



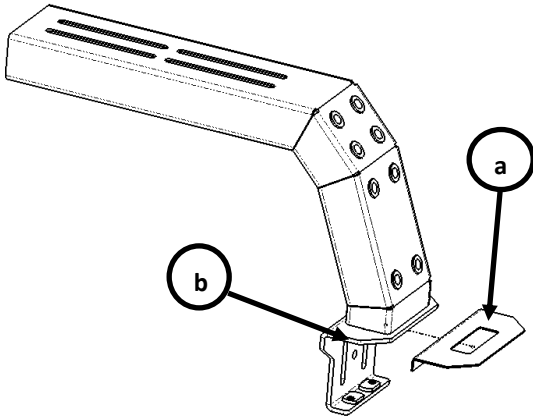
For Technical Support / Warranty Information please call 1-888-717-5797
Smittybilt, 1017 W 600 N, STE 4, Ogden, UT 84404

Installation Instructions: Defender Bed Rack



WARNING

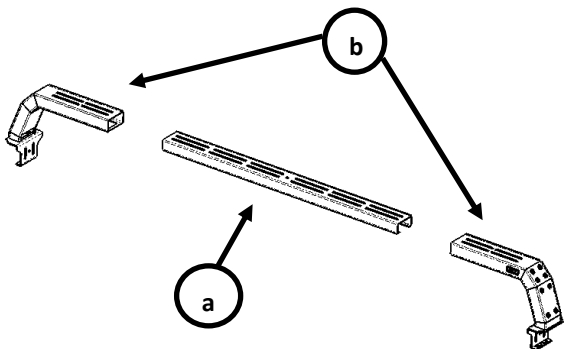
Chock all four wheels and make sure parking brake is engaged before starting this install. Failure to do so could result in serious injury. Place masking tape on the areas of the body that could possibly be scratched. Be sure to torque hardware after installation, 200 miles after install, and periodically after.



Step 1:

Install all (6) **Neoprene Foam Sheets (a)** onto all (6) **Uprights** at the mounting location (b) align the rectangular cutout.

Note: The foam padding may already be installed. If so, proceed to **Step 2**.



Step 2:

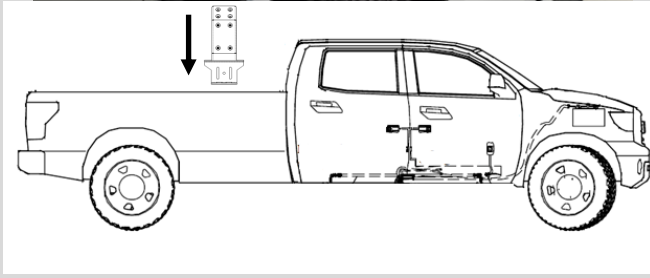
Install (1) **Crossmember (a)** into (2) **Uprights (b)** as shown.

Center the **Crossmember** as best as you can between the **Uprights**.



For Technical Support / Warranty Information please call 1-888-717-5797
Smittybilt, 1017 W 600 N, STE 4, Ogden, UT 84404

Installation Instructions: Tall Defender Bed Rack

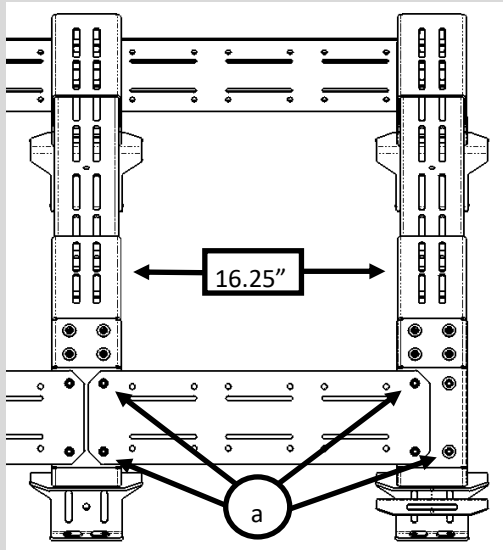


Step 3:

Mount the assembly from **Step 2** onto the truck bed rails. Adjust the **Uprights** to the width of the vehicle bed. Once happy with the width install **(8) M8-1.25x20mm Bolts**, **(16) M8 Flat Washers**, and **(8) M8-1.25 Nylock Nuts** to loosely secure the **Crossmember**, making sure to keep it centered.

Repeat **Steps 2 & 3** two more times until you have three assemblies on the vehicle bed.

Note: Leave hardware loose for now.

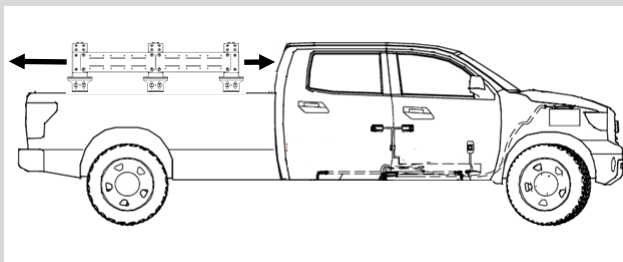


Step 4:

Space the **(3)** assemblies so they are about **16.25 inches** apart from the next. Install the connecting panels to the **Uprights** using the included **(16) M10-1.5x20mm Button Head Bolts**, and **(16) M10 Flat Washers** through the side panels and into the installed nutserts (a).

Apply blue thread locker from the supplied hardware pack.

Note: Leave hardware loose for now.



Step 5:

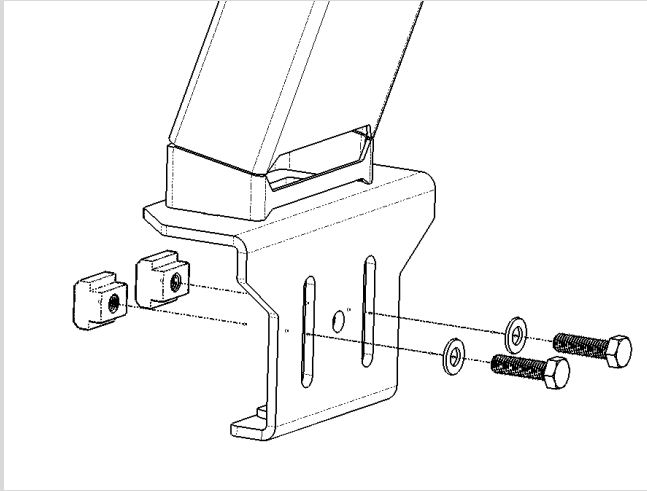
Adjust the loosely secured Defender Rack backward or forward as needed.



For Technical Support / Warranty Information please call 1-888-717-5797
Smittybilt, 1017 W 600 N, STE 4, Ogden, UT 84404

Installation Instructions: Mechanical Installation

Step 6:

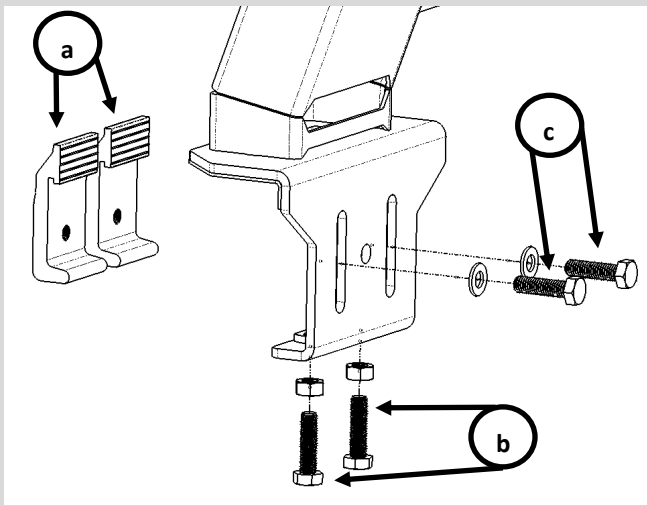


If your truck has a rail system, install the supplied **(6 per side) T-Nuts**. Loosely install the included **(12) M8-1.25x30mm Hex Bolts** and **(12) M8 Flat Washers** into each T-Nut through the base of the Upright as shown. Apply **Blue thread locker** from the supplied hardware pack.

Note: Use the vertical slots to ensure your bolt is perpendicular to your T-Nut.

If your vehicle is not equipped with a rail system, skip to Step 7.

Step 7:



If your vehicle is not equipped with bed rails, use the included **(12) Extruded Clamps (a)** using **(12) M8-1.25x30mm Hex Bolts** and **(12) M8 Flat Washers**. Apply blue thread locker from supplied hardware pack.

Install **(12) M8-1.25x30mm Hex Bolts** and **(12) M8-1.25 Nuts** onto the bottom so they snugly contact the bottom of the **Extruded Clamps**.



Step 8: Torque all hardware to spec using the chart provided on **Page 8** of this guide.

Installation is now complete.

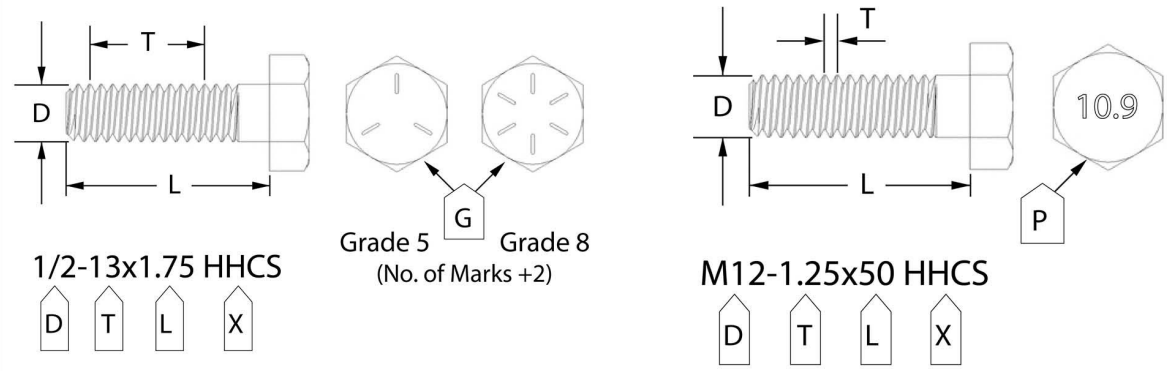


For Technical Support / Warranty Information please call 1-888-717-5797
Smittybilt, 1017 W 600 N, STE 4, Ogden, UT 84404

Bolt Torque Specifications

Use this only as a guide for hardware without a called out torque specification in the instruction manual.

Bolt Torque and ID						
Decimal System			Metric System			
<i>All Torques in Ft. Lbs. Maximums</i>						
Bolt Size	Grade 5	Grade 8	Bolt Size	Class 9.8	Class 10.9	Class 12.9
5/16	15	20	M6	5	9	12
3/8	30	45	M8	18	23	27
7/16	45	60	M10	32	45	50
1/2	65	90	M12	55	75	90
9/16	95	130	M14	85	120	145
5/8	135	175	M16	130	165	210
3/4	185	280	M18	170	240	290



1/2-13x1.75 HHCS
D T L X

Grade 5 G Grade 8
 (No. of Marks +2)

M12-1.25x50 HHCS
D T L X

G= Grade (Bolt Strength)
 D= Nominal Diameter (Inches)
 T= Thread Count (Threads per Inch)
 L= Length (Inches)
 X= Description (Hex Head Cap Screw)

P= Property Class (Bolt Strength)
 D= Nominal Diameter (Millimeters)
 T= Thread Pitch (Thread Width, mm)
 L= Length (Millimeters)
 X= Description (Hex Head Cap Screw)



For Technical Support / Warranty Information please call 1-888-717-5797
 Smittybilt, 1017 W 600 N, STE 4, Ogden, UT 84404

Notes and Disclaimers

Product cleaning and maintenance instructions

Stainless Steel Finish – Aluminum polish may be used to polish small scratches and scuffs on the finish. Mild soap, window or glass cleaner may be used to clean the finish. Dual state powder coat finish – Mild soap, window or glass cleaner may be used to clean the finish. In order to protect the finish, you may wax your product on a regular basis with pure carnauba automotive wax. Do not use any types of soap, polish or wax that contains abrasive that could damage the finish. Textured coated finishes should be cleaned with a mild soap on a damp sponge. Do not apply polish or wax that requires to be removed by means of buffing. This type of wax is commonly used at car wash facilities. Chrome Finish – Mild soap, window or glass cleaner may be used to clean the finish. In order to protect the finish, you should wax your product on a regular basis with pure carnauba automotive wax. Do not use any types of soap, polish or wax that contains abrasive that could damage the finish. Always check and retorquer hardware as needed after the first 200-500 miles after install. Check and retorquer hardware periodically thereafter.

SMITTYBILT ADVANTAGE WARRANTY

LIMITED-LIFETIME WARRANTY FOR STRUCTURAL COMPONENTS

5-YEAR FINISH WARRANTY

Smittybilt Automotive Products, LLC (SAP) warrants to the original purchaser that (a) the physical components (e.g., metal components, welds, etc.) of any SAP **Tall Defender Bed Rack** will be free of defects in material and workmanship for the lifetime of the product from the date of purchase of the rack, and (b) the finish will be free of defects in material and workmanship for a period of 5-years from the original date of purchase. This warranty applies only to the original purchaser of the rack and is non-transferable. To obtain any warranty service, you must provide SAP with a proof of purchase and date of purchase that is acceptable to SAP, such as a copy of your purchase receipt.

This warranty does not cover labor of part replacement of the rack. SAP will, at its sole discretion, provide replacement part (s) for a defective rack or component, provided this is done within the warranty period. To request assistance under warranty, one must call or email using the phone number or email at the bottom of this page. This warranty does not apply (1) wearable components; or (2) if the rack has been damaged, including, but not limited to: abuse, misuse, collision, modification, misapplication, improper installation, or improper service. This warranty is void if any SAP serial number has been removed or defaced; or if the rack is used for any commercial, industrial, or rental applications. This warranty only applies to Tall Defender Bed Racks bought, sold, and used within the United States or Canada unless otherwise specifically agreed in writing by SAP.

THE WARRANTY SET FORTH ABOVE IS THE ONLY WARRANTY. THERE ARE NO OTHER WARRANTIES, EXPRESSED OR IMPLIED, INCLUDING BUT NOT LIMITED TO IMPLIED WARRANTIES OF MERCHANTABILITY OR FITNESS FOR A PARTICULAR PURPOSE. ANY IMPLIED WARRANTY WHICH BY LAW MAY NOT BE EXCLUDED IS LIMITED TO A DURATION OF ONE (1) YEAR FROM THE DATE OF ORIGINAL RETAIL PURCHASE OF THE PRODUCT. No SAP dealer, agent, or employee is authorized to make any modification, extension or addition to this warranty. SAP SHALL NOT BE LIABLE FOR SPECIAL, INDIRECT, INCIDENTAL OR CONSEQUENTIAL DAMAGES (INCLUDING, BUT NOT LIMITED TO, LOST PROFITS, DOWN TIME OR LOSS OF USE) UNDER ANY LEGAL THEORY, EVEN IF SAP WAS ADVISED OF THE POSSIBILITY OF SUCH DAMAGES. Some states do not allow the exclusion of implied warranties or the exclusion or limitation of liability for incidental or consequential damages, or limitations on how long an implied warranty lasts, so the above limitation or exclusion may not apply to you. This Warranty gives you specific legal rights. You may also have other rights that vary from state to state. SAP reserves the right to change product design without notice. In situations in which SAP has changed a product design, SAP shall have no obligation to upgrade or otherwise modify previously manufactured products. For warranty inquiries contact SAP at:

Smittybilt Automotive Products, LLC

Customer Service Department

Call 1-800-776-0767 or Email info@smittybilt.com



For Technical Support / Warranty Information please call 1-888-717-5797
Smittybilt, 1017 W 600 N, STE 4, Ogden, UT 84404