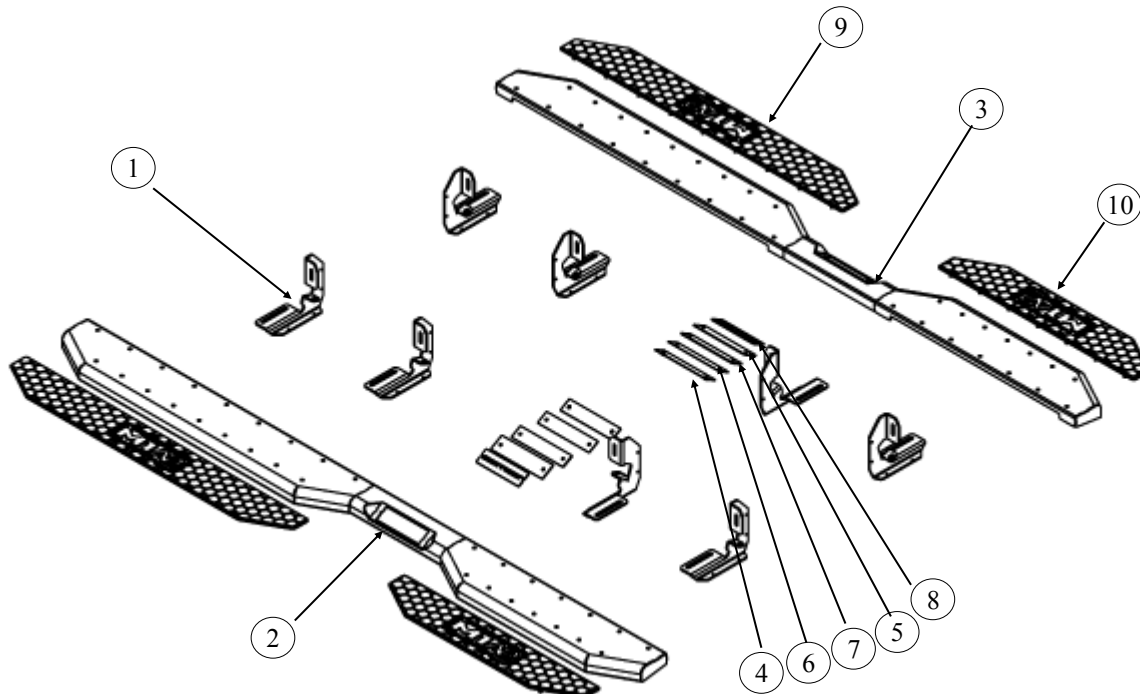




Installation Instructions:

(Part # SB616923)
Chevy 19+ M1A2 Running Boards

NOTE : Carefully read entire instructions thoroughly before attempting to install this part.



Parts Included	Qty.	ID
84-412JB013 RUNNING BOARD MOUNT	8	1
84-388JU700 M1A2 RUNNING BOARD CORE DRV	1	2
84-388JU702 M1A2 RUNNING BOARD CORE PASS	1	3
84-388JU705 LED NUT PLATE	2	4
90-388JU703 DAY-NIGHT LENSE	2	5
90-388JU706 LED HOUSING SEAL	2	6
90-388JU707 PANEL LED	2	7
90-388JU709 LOGO PLATE	2	8
90-388JU710 M1A2 FORWARD SECTION STEP PAD	2	9
90-388JU711 M1A2 REAR SECTION STEP PAD	2	10
90-616931-04 HARDWARE PACK LIGHT MOUNT	1	
M6 X 1.0 X 20 HEX DRIVE BHCS GR 10.9 BLACK ZINC	4	

Parts Included	Qty.	ID
90-616931-02 HARDWARE PACK BOARD MOUNT	2	
M8 X 1.25 X 25 METRIC HEX BOLT GR 10.9 BLACK ZINC	8	
M8 FL WASHER DIN 125 BLACK ZINC	8	
M8 X 1.25 STRUT CHANNEL NUT BLACK ZINC	8	
90-616931-03 HARDWARE PACK STEP PAD MOUNT	2	
M6 X 1.0 X 20 HEX DRIVE FHS GR 10.9 BLACK ZINC	15	
90-616922-01 HARDWARE PACK BRACKET MOUNT	2	
M8 X 1.25 X 30MM METRIC HEX BOLT GR 10.9 BLACK ZINC	8	
M8 FL WASHER DIN 125 BLACK ZINC	8	

For Technical Support/Warranty Information please call 310-762-9944



Installation Instructions:

(Part # SB616923)
Chevy 19+ M1A2 Running Boards

INSTALLATION:

NOTE : Park vehicle on a flat level surface. Apply parking brake and chock all four wheels.

Step 1 : Remove any existing steps or obstructions from the vehicle. Save OE hardware for possible re-use.

Step 2 : Unpackage the steps and place them alongside their corresponding locations on the vehicle (**388JU700 driver, 388JU702 passenger**), the longer pad goes towards the front of the vehicle.

Step 3 : Look under the vehicle and locate the OE mounting locations (**Fig. 1,2**). Install the mounting brackets (4 total per side) in the positions shown. (2) brackets in the rear most mounting locations and the other (2) brackets in the forward positions so that they match the locations in (**Fig 3**). There should be about 38" between the two middle brackets (**Fig 4**). Use the **M8x1.5x30mm** metric hex bolts and washer provided 2 per bracket (**Fig. 3,4**). Tighten to **12 ft-lbs**.

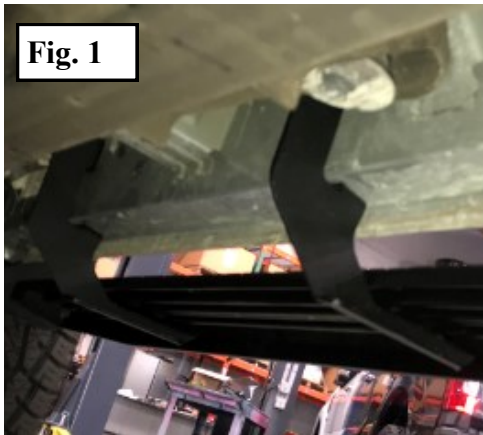


Fig. 1



Fig. 2

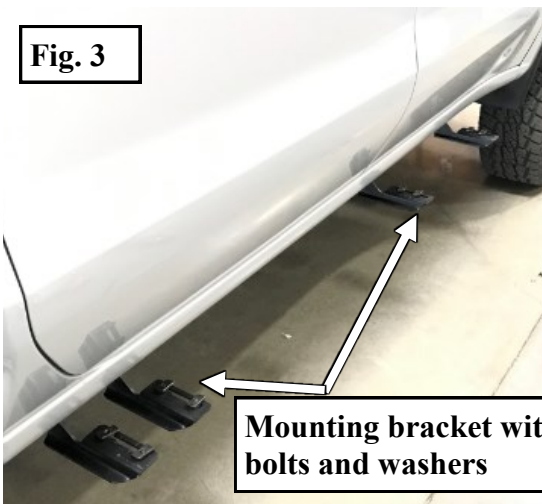


Fig. 3

Mounting bracket with bolts and washers



Fig. 4

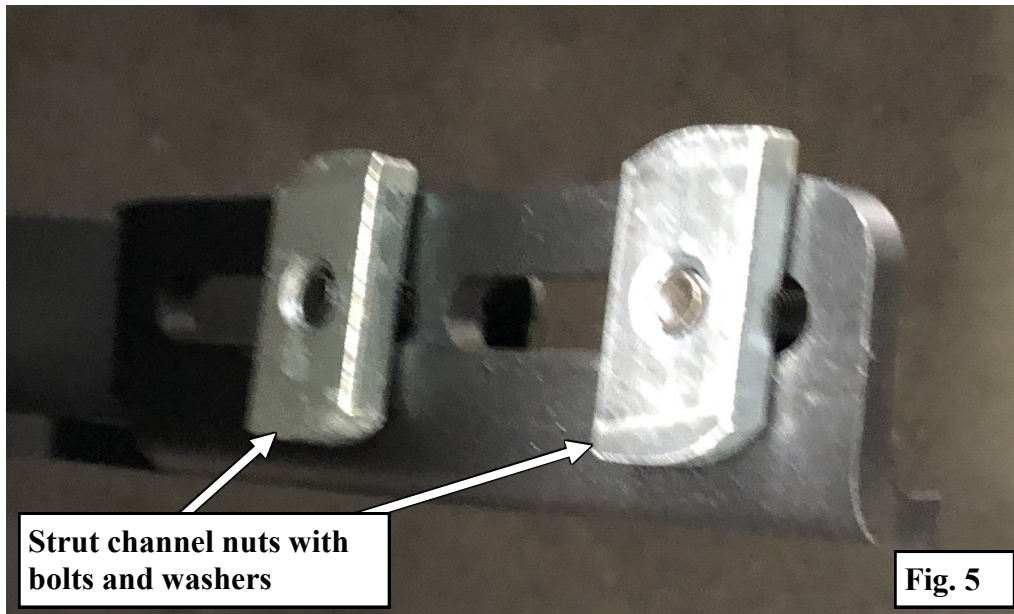
For Technical Support/Warranty Information please call 310-762-9944



Installation Instructions:

(Part # SB616923)
Chevy 19+ M1A2 Running Boards

Step 4 : Locate the hardware pack (1 per side 616931-02) and install the (2 each) strut channel nuts, teeth down onto the running board brackets with the M8x1.25x25 bolts and washers as shown (Fig. 5). The nuts should only be threaded a couple turns onto the bolts.



Step 5 : Align all the nuts lengthwise with the vehicle (Fig. 6) and the running board on top so that the nuts align with the channels.



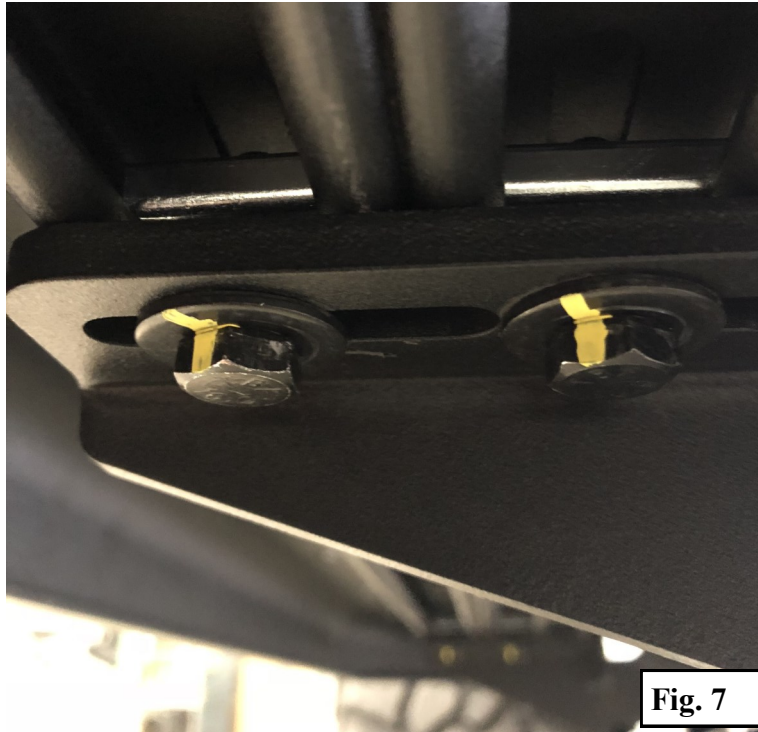
For Technical Support/Warranty Information please call 310-762-9944



Installation Instructions:

(Part # SB616923)
Chevy 19+ M1A2 Running Boards

Step 6 : Push the bolts & strut nuts up into the channels and turn clockwise so that the nuts lock into position for tightening (**Fig. 7**). Adjust the board forward or backwards to your preference on the vehicle and tighten the hardware to **17 ft-lbs**.



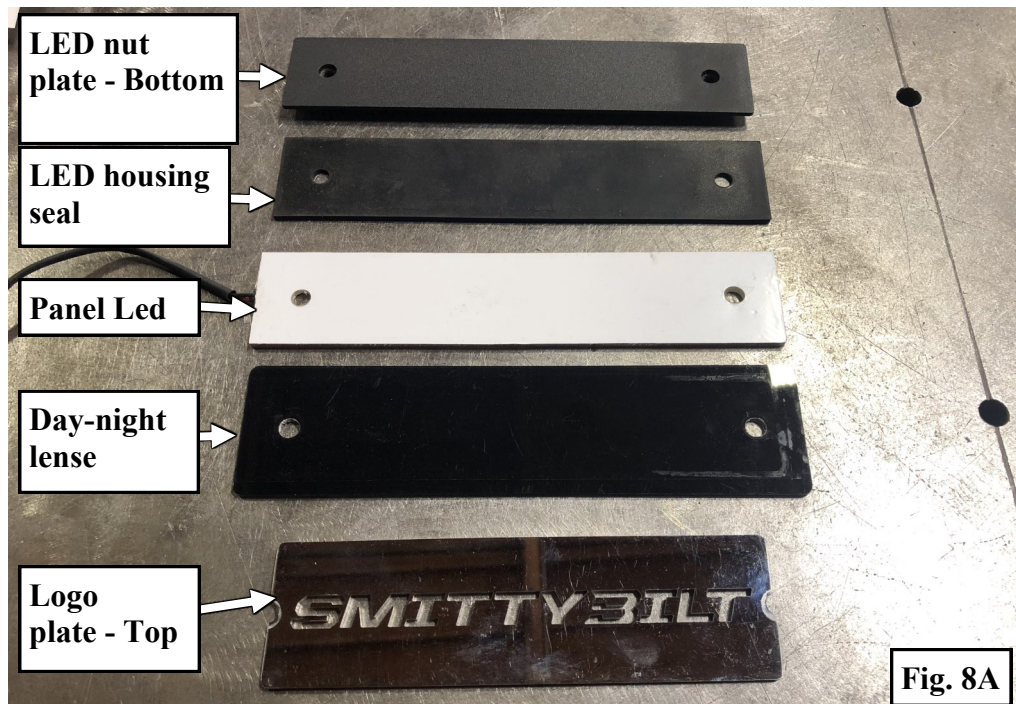
For Technical Support/Warranty Information please call 310-762-9944



Installation Instructions:

(Part # SB616923)
Chevy 19+ M1A2 Running Boards

Step 7 : If not already installed from factory, mount the LED logo lights to the steps in the order shown (**Fig. 8, 8A**). Secure using (**2 each side**) M6x1.0x20 screws provided, through the running board lighting components, and into the backing plate. Tighten to 5 ft-lbs.



For Technical Support/Warranty Information please call 310-762-9944



Installation Instructions:

(Part # SB616923)
Chevy 19+ M1A2 Running Boards

Note : Your kit may or may not come with a plug and play harness, if it has please refer to step 8 for installation. If it has not, It is recommended that a qualified automotive electrician be consulted before attempting to connect the running board lights to the vehicle OE wiring harness.

Step 8 : If using the supplied wiring harness; mount the relay near the battery, run the leads down to the frame rails making sure to avoid moving parts and exhaust manifolds that may damage the harness (**Fig. 9**). Connect the harness ends to the running board lights and secure. Run the toggle switch lead through the firewall to the place of your choosing. At the battery, connect the red lead to the **positive (+) terminal** and the black lead to the **negative (-) terminal**. Check the operation of the lights, when satisfied, securely fasten all harness wires out of harm's way.



Fig. 9

Step 9: Recheck that all hardware is tightened to spec. **INSTALL COMPLETE.**

For Technical Support/Warranty Information please call 310-762-9944



Installation Instructions:

(Part # SB616923)
Chevy 19+ M1A2 Running Boards

Use this only as a guide for hardware without a called out torque specification in the instruction manual.

Bolt Torque and ID						
Decimal System			Metric System			
All Torques in Ft. Lbs. Maximums						
Bolt Size	Grade 5	Grade 8	Bolt Size	Class 9.8	Class 10.9	Class 12.9
5/16	15	20	M6	5	9	12
3/8	30	45	M8	18	23	27
7/16	45	60	M10	32	45	50
1/2	65	90	M12	55	75	90
9/16	95	130	M14	85	120	145
5/8	135	175	M16	130	165	210
3/4	185	280	M18	170	240	290

<p>1/2-13x1.75 HHCS Grade 5 Grade 8 (No. of Marks + 2)</p> <p>D T L X</p> <p>G = Grade (Bolt Strength) D = Nominal Diameter (Inches) T = Thread Count (Threads per Inch) L = Length (Inches) X = Description (Hex Head Cap Screw)</p>	<p>M12-1.25x50 HHCS</p> <p>D T L X</p> <p>P = Property Class (Bolt Strength) D = Nominal Diameter (Millimeters) T = Thread Pitch (Thread Width, mm) L = Length (Millimeters) X = Description (Hex Head Cap Screw)</p>
--	--

For Technical Support/Warranty Information please call 310-762-9944



Installation Instructions:

(Part # SB616923)

Chevy 19+ M1A2 Running Boards

Product cleaning and maintenance instructions

Stainless Steel Finish – Aluminum polish may be used to polish small scratches and scuffs on the finish. Mild soap, window or glass cleaner may be used to clean the finish. **Dual state powder coat finish** – Mild soap, window or glass cleaner may be used to clean the finish. In order to protect the finish, you may wax your product on a regular basis with pure carnauba automotive wax. Do not use any types of soap, polish or was that contains abrasive that could damage the finish. **Textured coated finishes** should be cleaned with a mild soap on a damp sponge. Do not apply polish or was that requires to be removed by means of buffing. This type of wax is commonly used at car wash facilities. **Chrome Finish** – Mild soap, window or glass cleaner may be used to clean the finish. In order to protect the finish, you should wax your product on a regular basis with pure carnauba automotive wax. Do not use any types of soap, polish or was that contains abrasive that could damage the finish.

Limited Warranties

Smittybilt's products are covered under the following limited warranties only. Note that the duration of the limited warranty differs according to the material and finish of the product purchased. Subject to the duration and conditions of the limited warranty stated below, Smittybilt warrants to the original retail purchaser that its products are free from defects in material and workmanship. All other warranties and representations express or implied, are hereby disclaimed, including fitness for merchantability and buyer's intended use or purpose. All parts are sold "AS IS" except for the limited warranties granted herein. Buyer assumes all risks as to the selection, suitability and performance of all goods and products selected. This limited warranty does not cover damage or impairment in any part due to misuse, improper installation, accident or contact with on-road or off-road hazards, product modification, improper or inadequate cleaning and/or maintenance. Smittybilt is not responsible for items damaged during shipping. This warranty is not transferable from the original buyer. For the original Buyer to be eligible for the limited warranty coverage, the Buyer must provide proof of purchase. Smittybilt strongly recommends returning the warranty registration card.

Customer's remedy hereunder shall be limited only to repair or replacement (at Smittybilt's option) of any defective part(s) returned to Smittybilt at customer's expense. The determination of whether or not a returned part is defective or subject to coverage under the limited warranties stated herein shall be made at Smittybilt's sole discretion.

To assure product quality, Smittybilt reserves the right to change product design, material, specification and finishes without prior notice to customers. This limited warranty gives you specific legal rights and you may also have other rights, which may vary from state to state. Some states do not allow limitations on how long an implied warranty lasts, so the above limitations may not apply as to you. Also, some states do not allow the exclusion or limitation of incidental or consequential damages, so the above limitations or exclusions may not apply to you. Smittybilt reserves the right to discontinue product lines and substitute products or provide other remedies than those listed in this limited warranty for those discontinued products.

Warning

Rollover and other types of vehicle accidents may result in serious injury or death to you, your passengers and others sharing the road. Smittybilt accessories are decorative and are not intended to reduce or avoid injury or damage in the event of an accident. The weight and location of Smittybilt accessories may affect your vehicles' handling, stability and performance, creating an increased risk of accident or rollover. Before installing any accessory, check state laws and assure that the accessory will not obscure any lights or interfere with proper operation on your vehicle's safety equipment. Consult your owner's manual and the Smittybilt instructions, or additional safety information. Smittybilt products, nor the warnings contained herein, are not a substitute for your safe driving. Don't drink and drive, always use seat belts and don't drive faster than conditions permit.

For Technical Support/Warranty Information please call 310-762-9944

Smittybilt, 400 W. Artesia, Compton, CA 90220