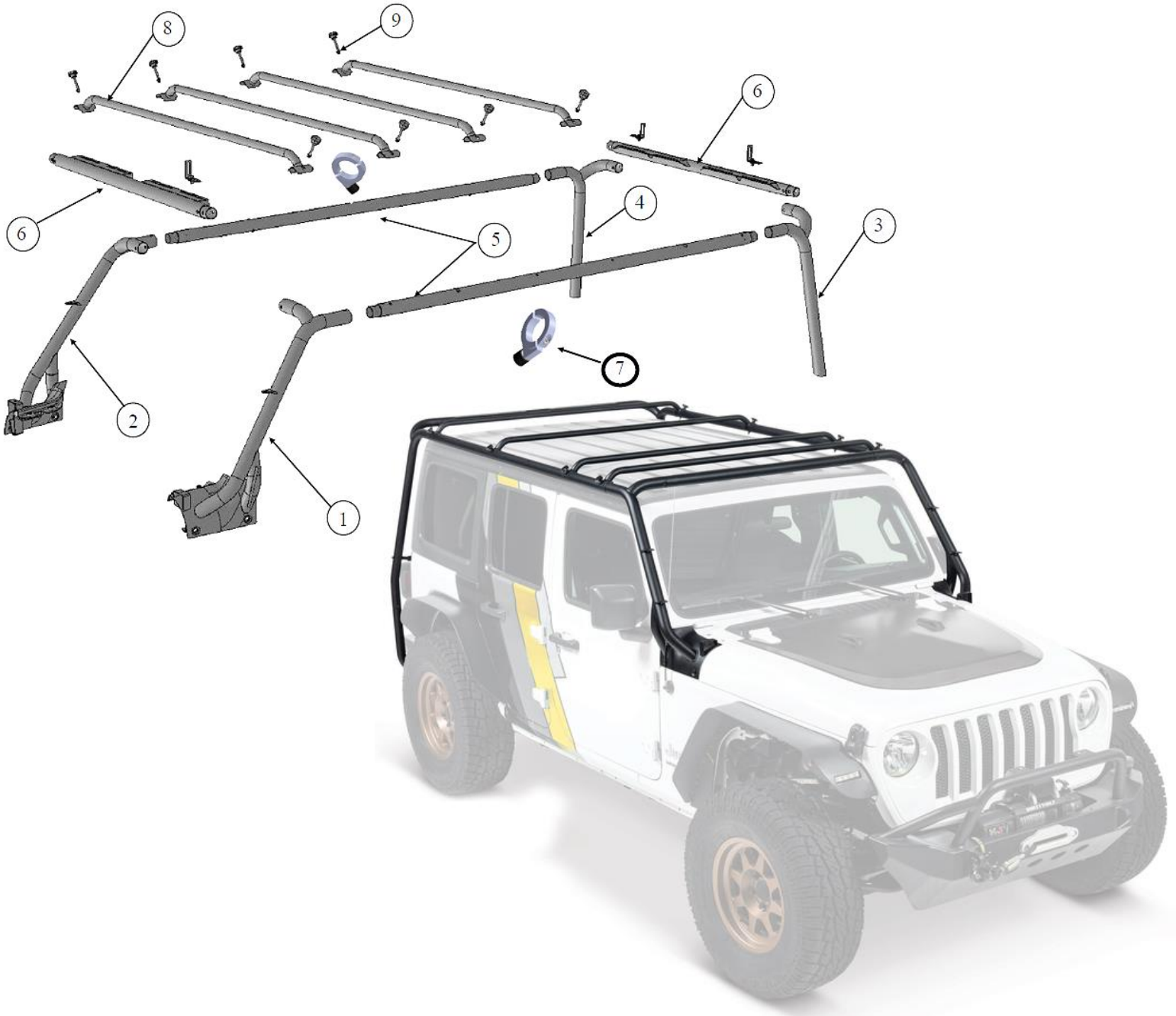




WWW.SMITYBILT.COM

**SRC Roof Rack JL 4 door 2018+  
Part # 77717**

**Note:** Actual pictures may vary from specific vehicle/ product. Read instructions thoroughly before attempting to install this part. Professional installation is recommended. Rear frame mounts may not be compatible with some rear bumpers. Assistance is required for install.



For Technical Support/Warranty Information please call 310-762-9944

Smittybilt, 400 West Artesia Blvd, Compton, CA 90220



WWW.SMITYBILT.COM

**SRC Roof Rack JL 4 door 2018+  
Part # 77717**

8MM LOCK WASHER	2
8MM X 16MM X 1.6MM STD FLAT WASHERS	2
M8 x 65mm HEX SOCKET BUTTON HEAD SCREW	2
M8*33.5 Set Bolt	18
M8*15 Set Nut	18
10mm LOCK WASHER	18
D10_24_2.2 FLAT WASHER	16
M8 PREVAILING TORQUE TYPE HEXAGON NUTS	8
8mm LOCK WASHER	4
8mmx24mmx2mm LARGE FLAT WASHER	8
M8 HEX NUTS	4
M8_25 HEX HEAD BOLTS(FULL THREAD)	4
S=5 HEX KEY TOOL	2
8mm LOCK WASHER	2
8mmx24mmx2mm LARGE FLAT WASHER	10
M8 PREVAILING TORQUE TYPE HEXAGON NUTS	4
M8_30 HEX HEAD BOLTS(FULL THREAD)	2
M8_35 HEX HEAD BOLTS	4
M8_25 HEXAGONAL SOCKET HEAD CAP SCREW	4
DUCK BILL VALVE (φ15*φ8*14)	2
φ12 rubber plug	18
φ18(ID φ7)xδ1.6/; spacer	2
8-1.25MM X 70MM HEX BOLT W-KNOBS	8

Parts Included SB77717	Qty.	ID
<b>DRIVER/LEFT FRONT LEG</b>	<b>1</b>	<b>1</b>
<b>PASSENGER/RIGHT FRONT LEG</b>	<b>1</b>	<b>2</b>
<b>DRIVER/LEFT REAR LEG</b>	<b>1</b>	<b>3</b>
<b>PASSENGER/RIGHT REAR LEG</b>	<b>1</b>	<b>4</b>
<b>LEFT OR RIGHT SIDE RAILS</b>	<b>2</b>	<b>5</b>
<b>FRONT OR REAR CROSS RAILS</b>	<b>2</b>	<b>6</b>
<b>DRIVER/LEFT REAR MOUNTING BRACKET</b>	<b>2</b>	<b>-</b>
<b>CLAMP BRACKET</b>	<b>2</b>	<b>7</b>
<b>BASKET/ACCESSORY CROSSBARS</b>	<b>4</b>	<b>8</b>

**Note:** Rear body mount supports must be used with factory and some aftermarket bumpers.

Supports up to 300 lb of evenly distributed load dynamically. Up to 800 lb load static.

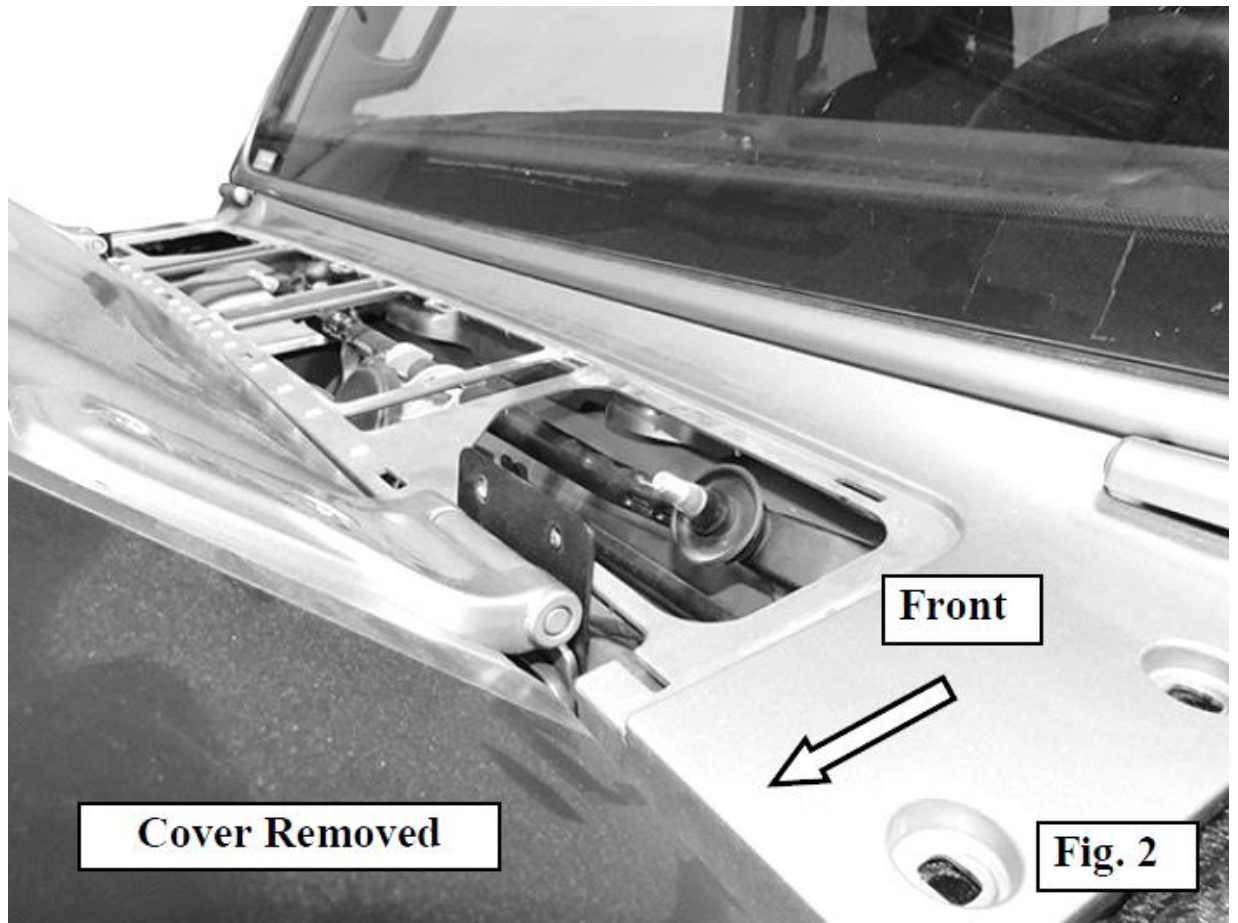
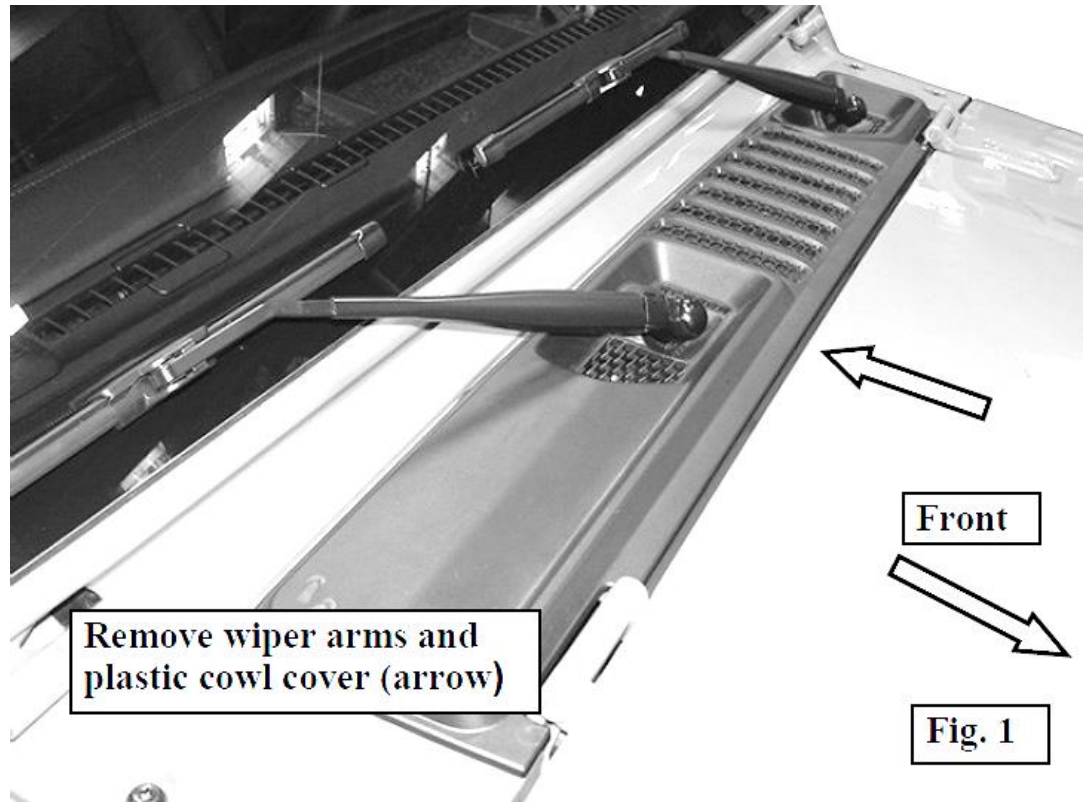


WWW.SMITYBILT.COM

SRC Roof Rack JL 4 door 2018+  
Part # 77717

**Step 1.** Use heavy blankets to protect your top.

**Step 2.** Remove both wiper arm assemblies Fig1. Carefully pry up sides of the plastic center trim panel to remove panel from top of the cowl in front of the windshield. Fig 1&2.



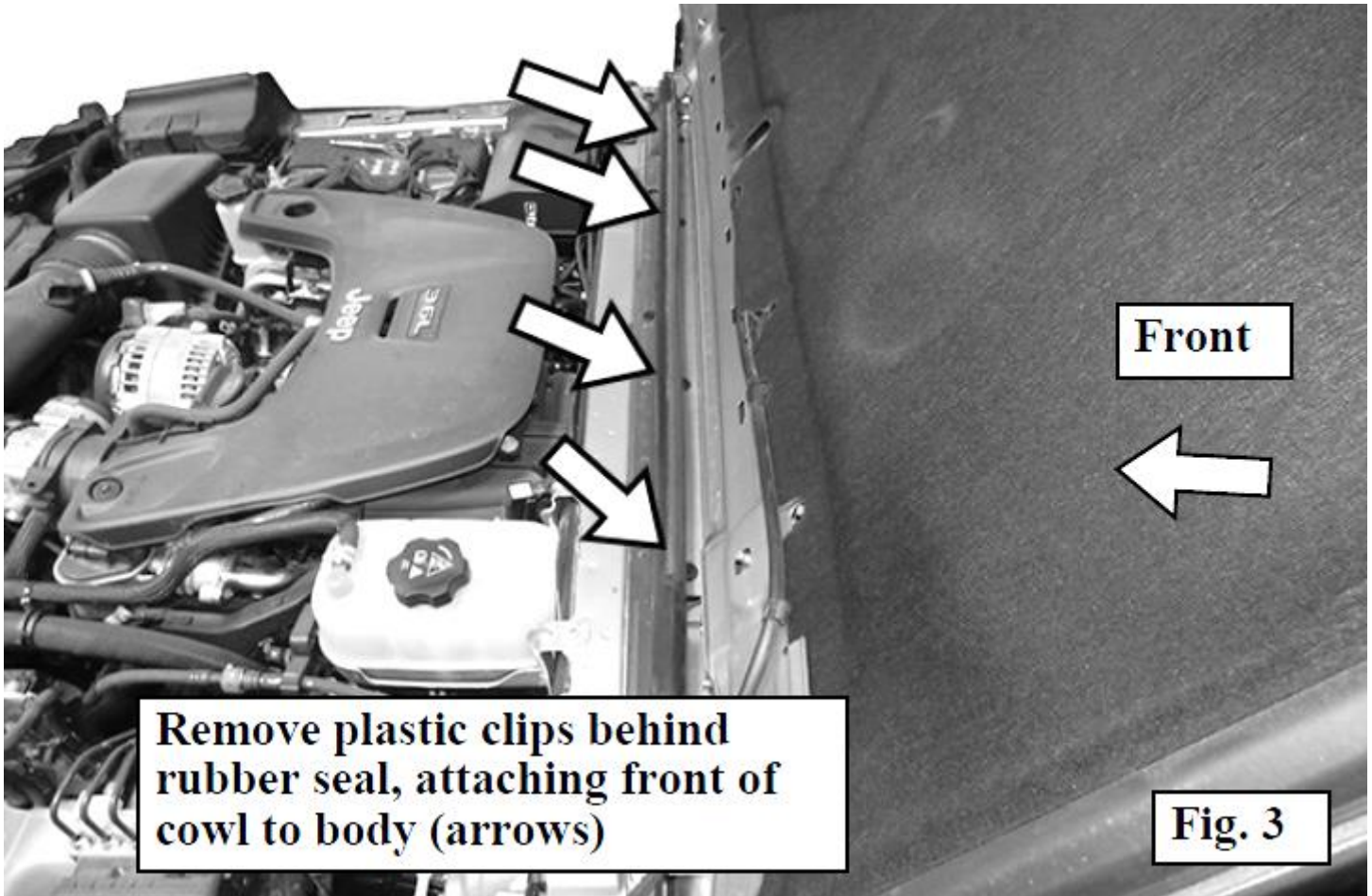


WWW.SMITYBILT.COM

SRC Roof Rack JL 4 door 2018+  
Part # 77717

**Step 3.** Open hood fully and rest hood on top of the windshield.

**IMPORTANT:** Place pad between hood and windshield to protect finish. Locate and remove the plastic clips under the rear rubber seal attaching the front of the cowl to the body, (Fig. 3). Lower hood and place hood on support prop.



Remove plastic clips behind  
rubber seal, attaching front of  
cowl to body (arrows)

Fig. 3

**Step 4.** Remove the bolts at both ends of the cowl, (Fig. 4). Carefully pry up the back of the plastic cowl panel to release the clips in the panel from the body.

**NOTE:** The cowl does not have to be removed, only fully released to access windshield hinge hardware.

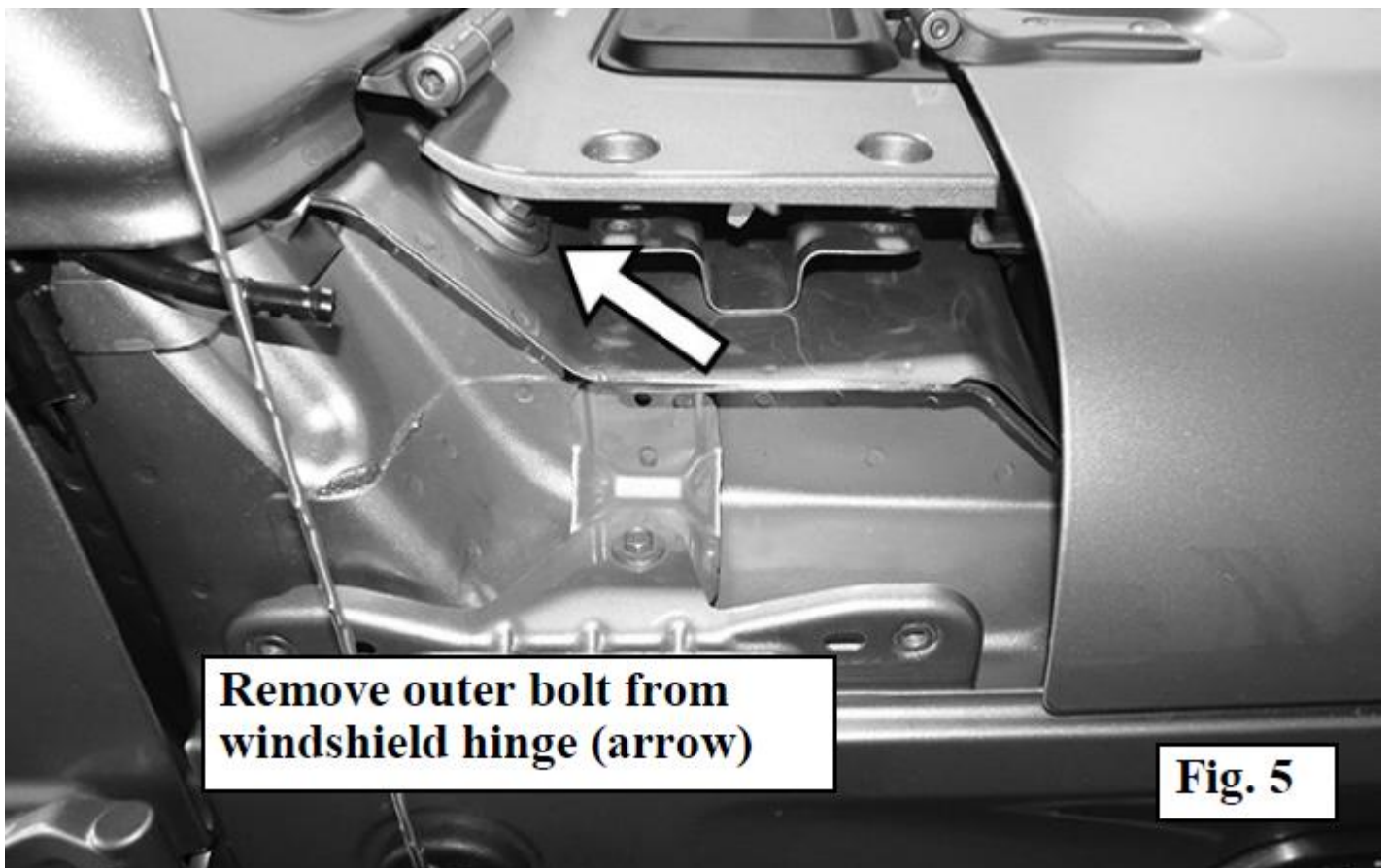
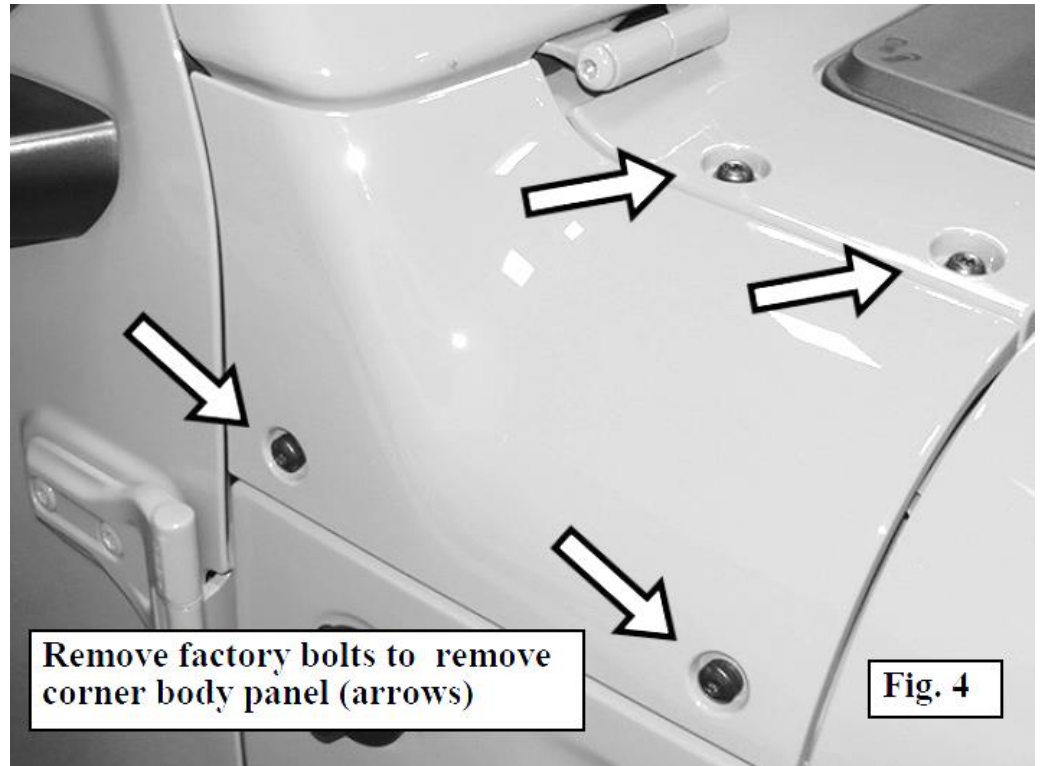


WWW.SMITYBILT.COM

SRC Roof Rack JL 4 door 2018+  
Part # 77717

**Step 5.** Remove the lower/outer bolts attaching the passenger/right side body corner panel and remove panel, (Fig. 5). Repeat to remove driver/left corner panel.

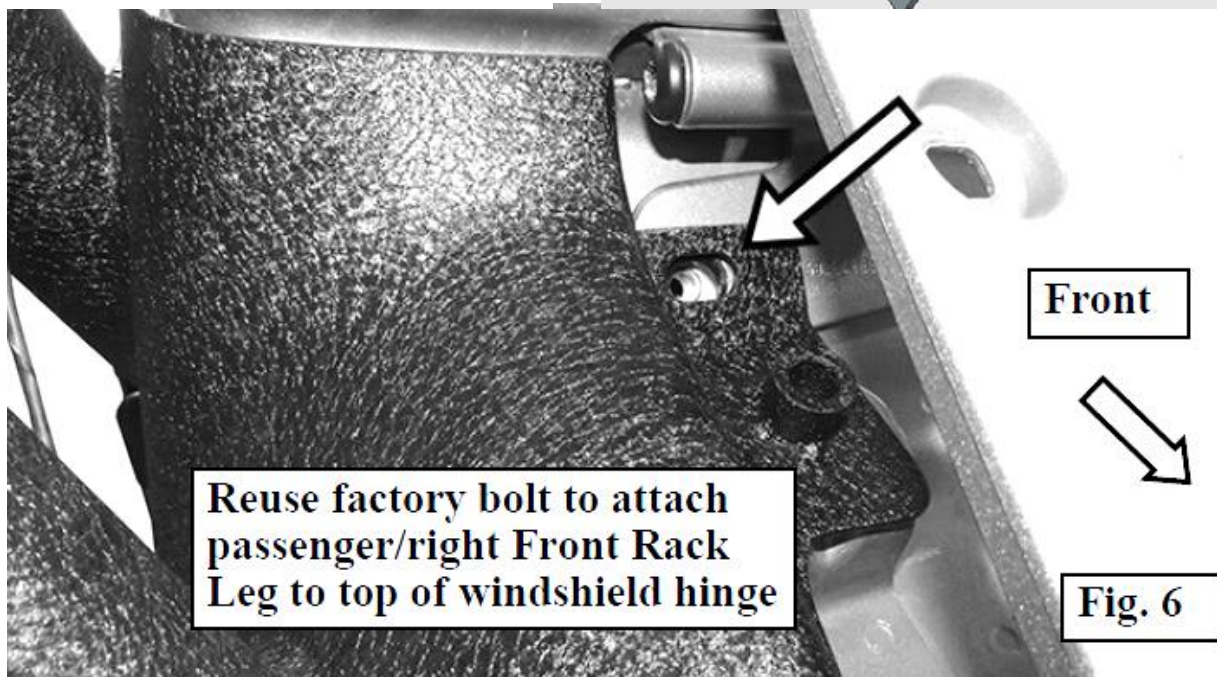
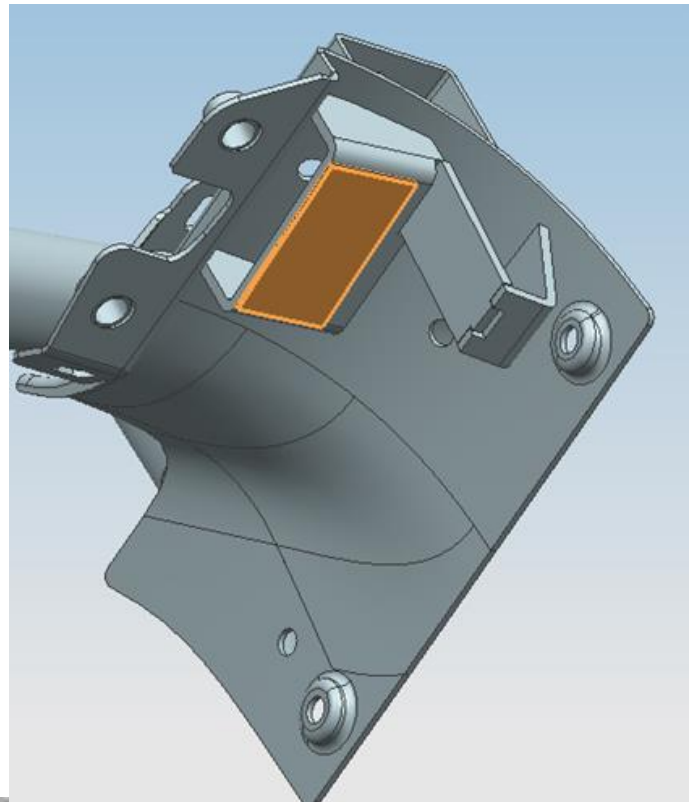
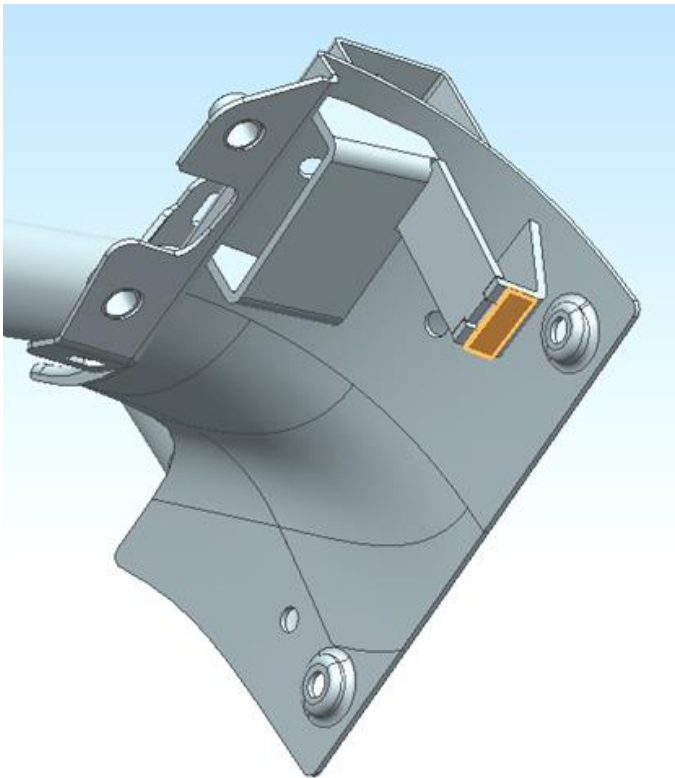
**Step 6:** Remove the passenger/right outer hinge bolt. (Fig. 5).





**SRC Roof Rack JL 4 door 2018+  
Part # 77717**

**Step 7:** Install the foam protectors as shown by the orange squares. With assistance, Select the passenger/right Roof Rack Leg. Hold the Rack Leg up in place over the body. Line up the inner mounting hole in the Base with the windshield hinge. Reuse the factory hex bolt to attach the Base to the hinge, (**Fig. 6**). Reuse the factory bolts to attach the outer mounting holes in the Base to the threaded holes in the side of the body, (**Fig. 7**). Do not fully tighten hardware at this time.





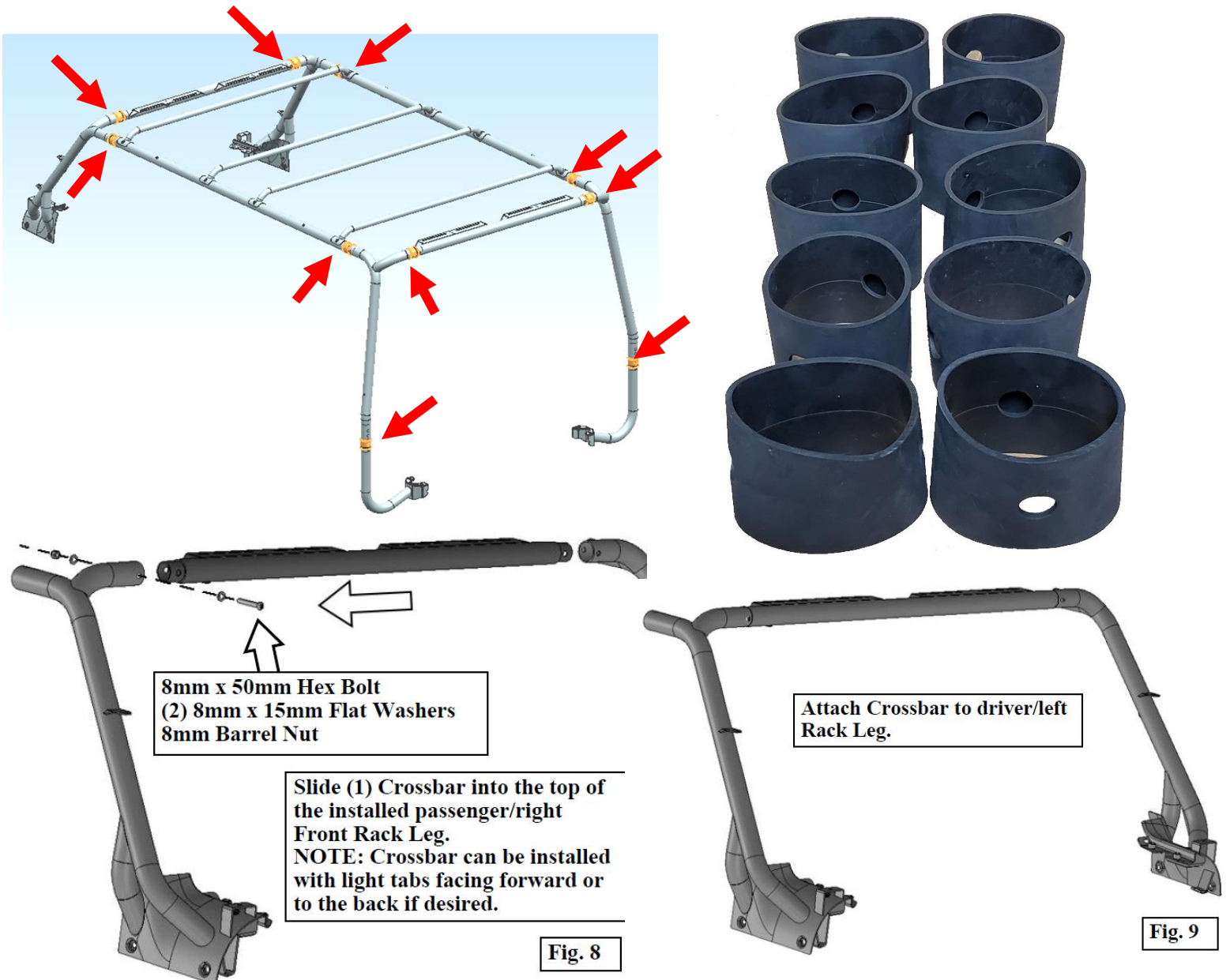
WWW.SMITYBILT.COM

SRC Roof Rack JL 4 door 2018+  
Part # 77717

**Step 8:** Next, select the driver/left Rack Leg. Repeat **Steps 6—7** to install the Rack Leg.

**Step 9:** Select **(1)** Cross Rail. Loosen Rack Legs enough to insert the Cross Rail between the top of the Rack Legs. Attach the Cross Rail to the Rack Legs with the included **(2)** 8mm x 50mm Hex Bolts, **(4)** 8mm x 15mm Small Flat Washers and **(2)** 8mm Barrel Nuts, **(Fig. 8 & 9)**. Do not tighten hardware at this time. Install rubber cover over the seam to help prevent water from entering the rack. It is highly recommended that all connection points be sealed with black RTV silicon sealer.

**NOTE:** It may be necessary or easier to temporarily remove one Rack Leg to insert the Cross Rail. Cross Rail can be installed with light tabs facing forward or to the rear.



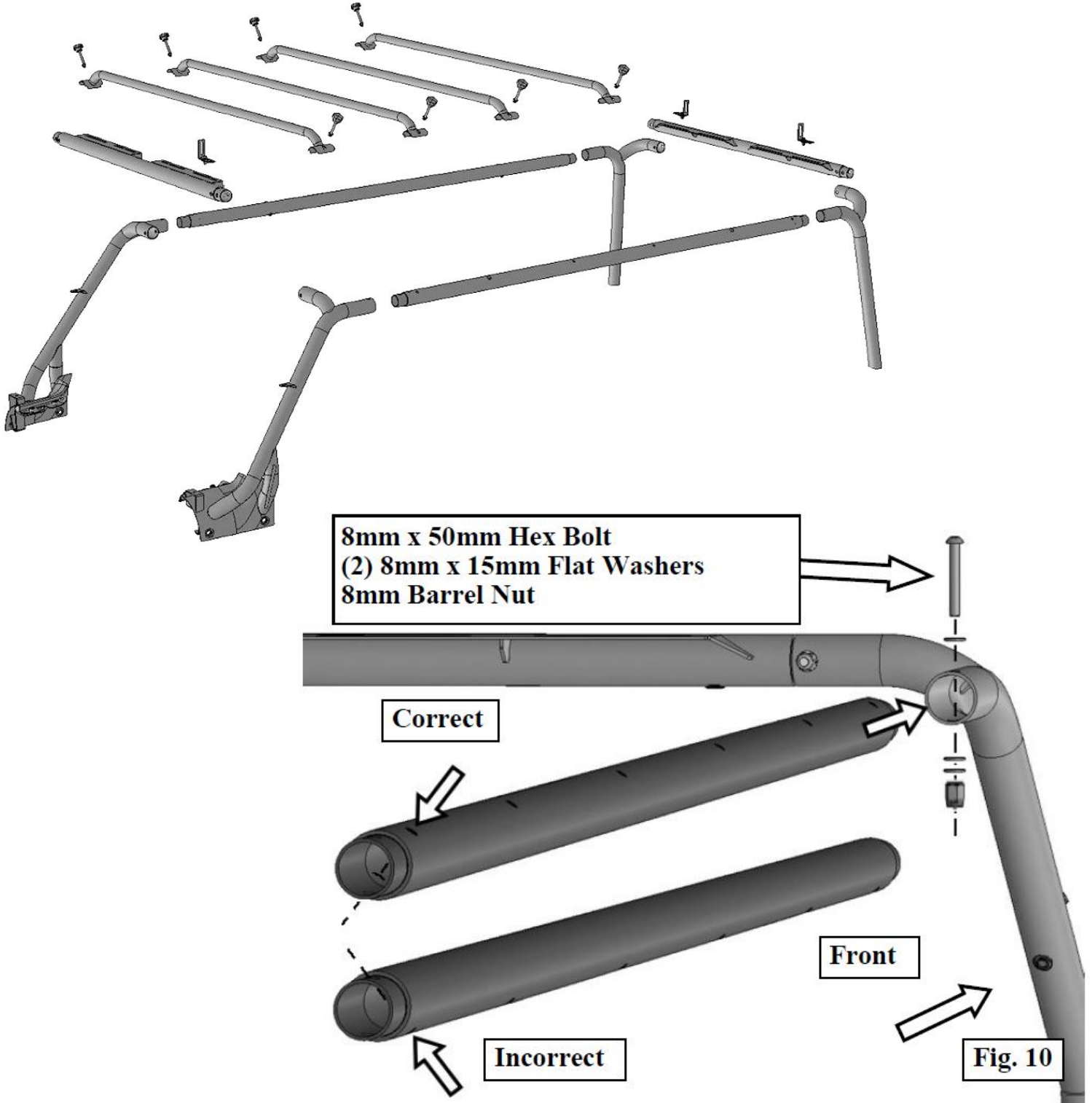


WWW.SMITYBILT.COM

SRC Roof Rack JL 4 door 2018+  
Part # 77717

**Step 10:** Select (1) Side Rail. Attach the Side Rail to the back of the Front Leg (1) 8mm x 50mm Hex Bolt, (2) 8mm x 15mm Small Flat Washers and (1) 8mm Barrel Nut, (Fig. 10). Make sure Side Rail is oriented properly.

**IMPORTANT:** Do not let Side Rail damage the top. Do not fully tighten.





WWW.SMITYBILT.COM

SRC Roof Rack JL 4 door 2018+  
Part # 77717

**Step 11:** Next, select the Driver right Rear Rack Leg, (**Fig. 11**). Repeat **Step 10** to attach the Rear Leg to the Side Rail. From the Driver side rear frame mount, remove OE bolts and install rack leg to frame mount, using OE Bolts. Do not fully tighten. (Repeat on Passenger Side.) See **Fig. 11-a**.

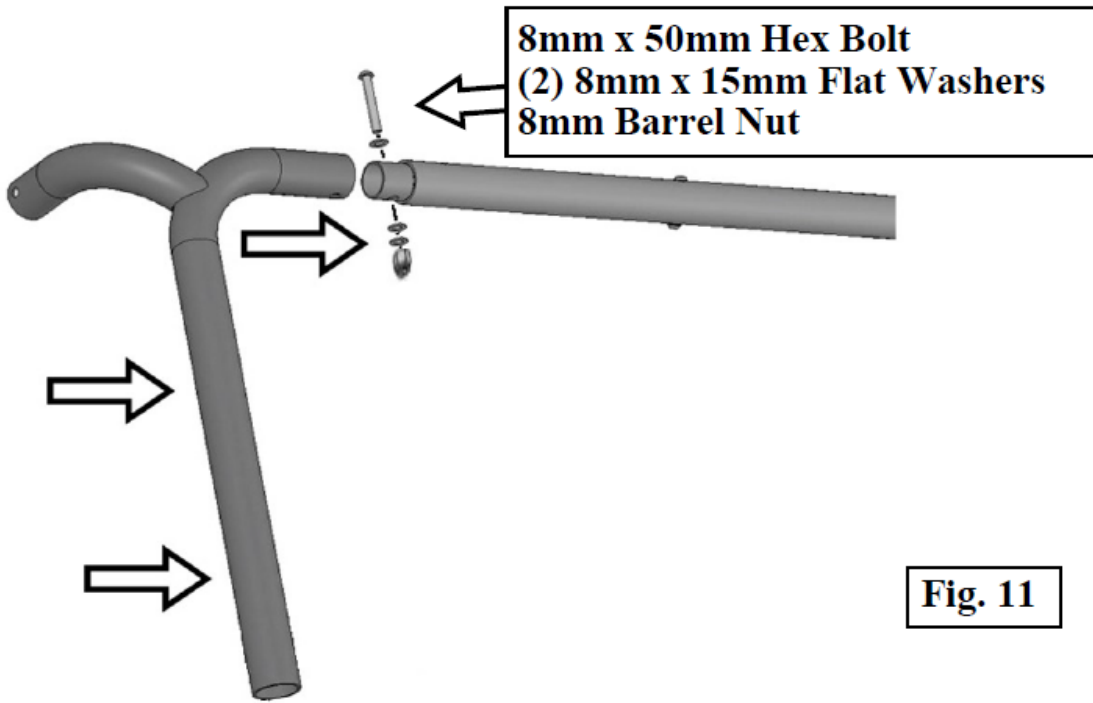
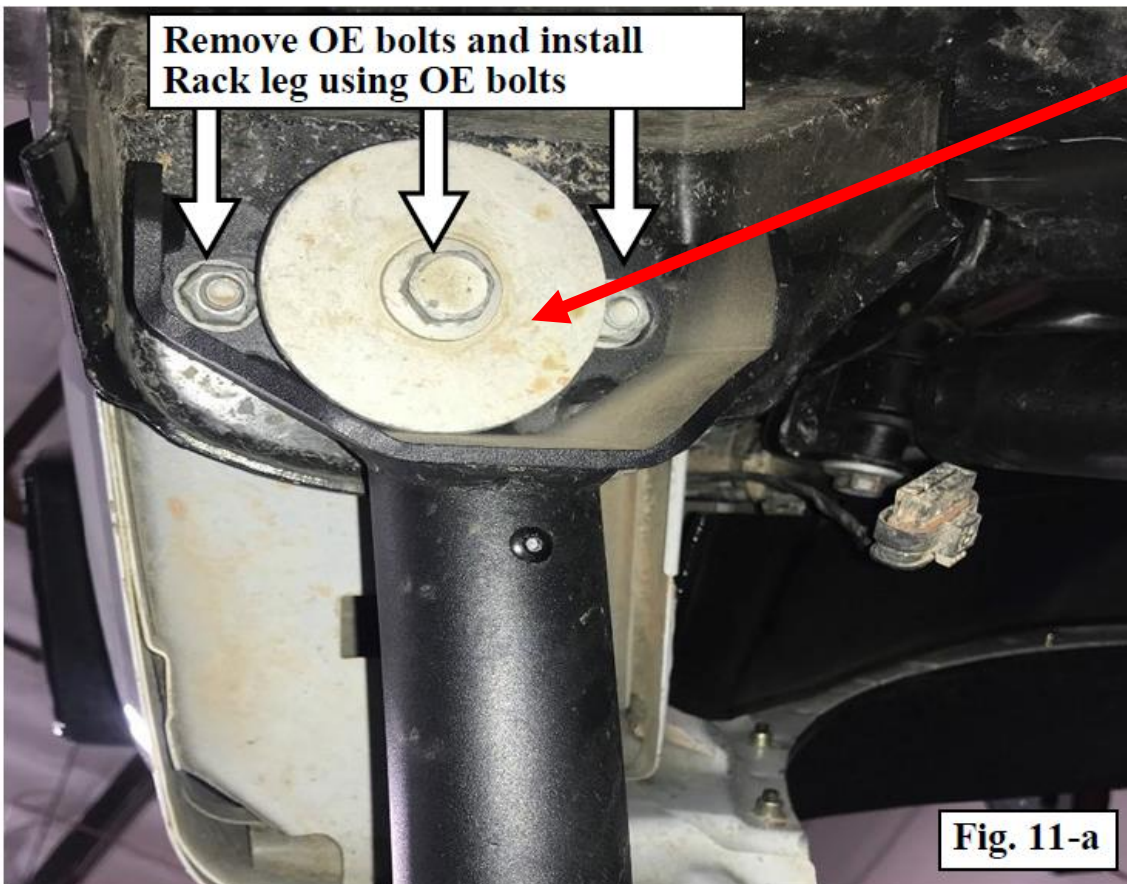


Fig. 11



**Note:** Due to factory variances check clearance between large body mount washer and the rack leg. If washer makes contact it will need to be trimmed.

Fig. 11-a



SRC Roof Rack JL 4 door 2018+  
Part # 77717

### Optional Bolt Directly to Body

**WARNING:** Before drilling into the vehicle, verify that all parts of the Roof Rack are completely clear of any top mechanisms, (soft and hard tops), sunroofs and factory or added accessories.

**Step 1:** Remove taillight by loosening the plastic bolt under the cap on the inside of the body tub. **(Fig 1.)**



Interior plastic removed to show location



SRC Roof Rack JL 4 door 2018+  
Part # 77717

### Optional Bolt Directly to Body

**Step 2:** Select the (2) Short Bottom Brackets and apply Peel and Stick Foam Gasket Material (G) to the back of the 2-hole mounting tabs. With assistance, hold the rear section of the Roof Rack up and attach the Short Bottom Bracket to the Rear Top Leg Section using the included (2) 8mm x 65mm Allen Bolts, (4) 8mm Flat Washers and (2) 8mm Nylon Lock Nuts (**Figure 2**).

**IMPORTANT!** Do not lay Roof Rack on your vehicle to attach the Rear Bottom Legs at any time. Damage to the vehicle may occur.

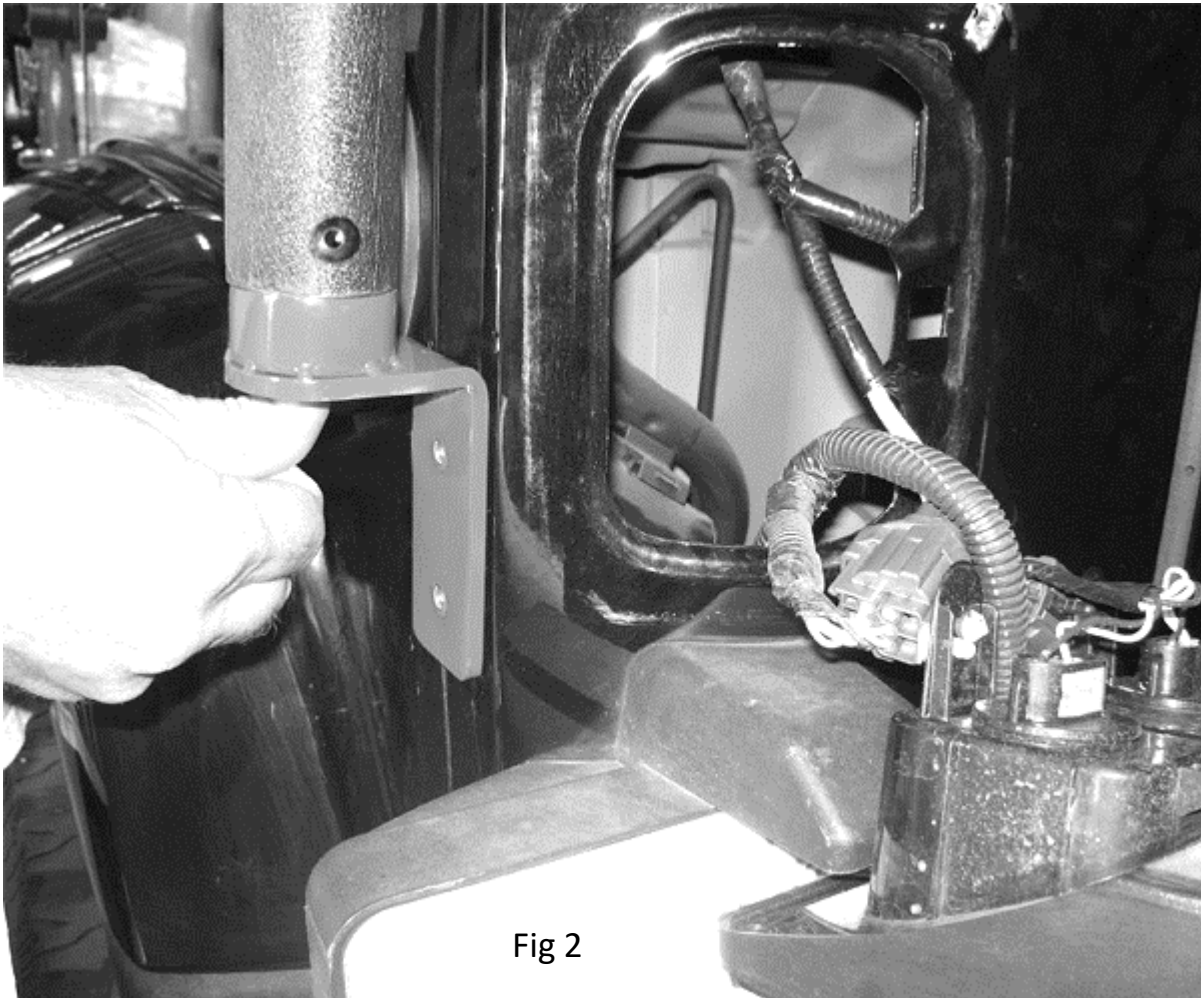


Fig 2



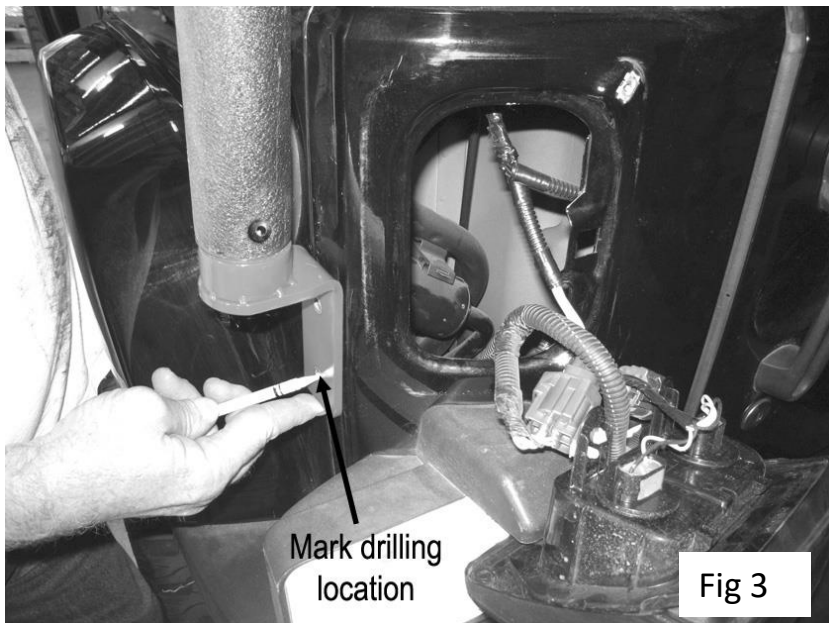
**SRC Roof Rack JL 4 door 2018+  
Part # 77717**

**Optional Bolt Directly to Body**

**WARNING:** Before drilling into the vehicle, verify that all parts of the Roof Rack are completely clear of any top mechanisms, (soft and hard tops), sunroofs and factory or added accessories.

**Step 3:** Align the Side Rails parallel with the roof of the vehicle, and then use the holes in the Short Bottom Bracket as a template to mark the drilling location on the vehicle, **(Figure 3)**.

**NOTE:** Center of the holes must be 3/4" from body seam to allow inner plate to be installed. Double check that inner plate can be installed before drilling, **(Figure 3)**.

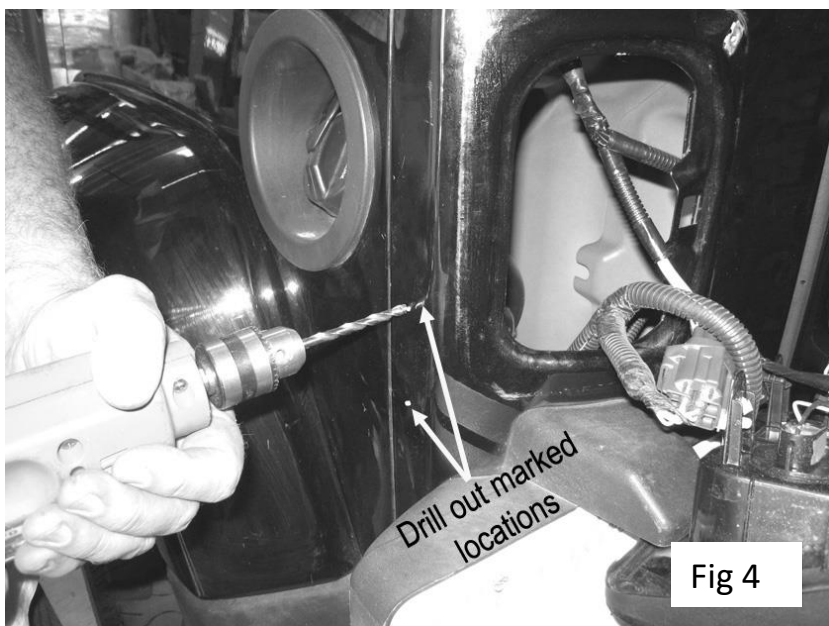


**Step 4:** Once you have marked the drill locations on both sides of the vehicle, remove the rear assembly of the Roof Rack and set it aside.

**NOTE:** Do not remove the Short Bottom Brackets from the Rear Legs.

**Step 5:** Use a 3/8" drill bit to drill out the (4) marked locations, **(Figure 4)**.

**IMPORTANT:** Any cutting or drilling tool may break or shatter. Government regulations require safety glasses & equipment at all times when cutting or drilling.



**Step 6:** Starting on the driver side, place adhesive backed rubber gaskets between the body and the Short Bottom Brackets, **(Figure 5)**.

With assistance, re-install the rear assembly of the Roof Rack to the Side Rails. Line up the holes in the Bottom Bracket to previously drilled holes.



**SRC Roof Rack JL 4 door 2018+  
Part # 77717**

**Optional Bolt Directly to Body**

**Step 7:** Insert (2) 8mm x 35mm Hex Head Bolts with (2) 8mm Flat Washers through the Short Bottom Brackets and body. Access the hardware through the opening for the taillight and position the 2-hole Metal Plates over the already inserted 8mm Hex Bolts, (**Figure 5**). Tighten fully.

**Proceeded to step 13 to complete install.**

**IMPORTANT:** Do periodic inspections to the installation to make sure all hardware is secure and tight.

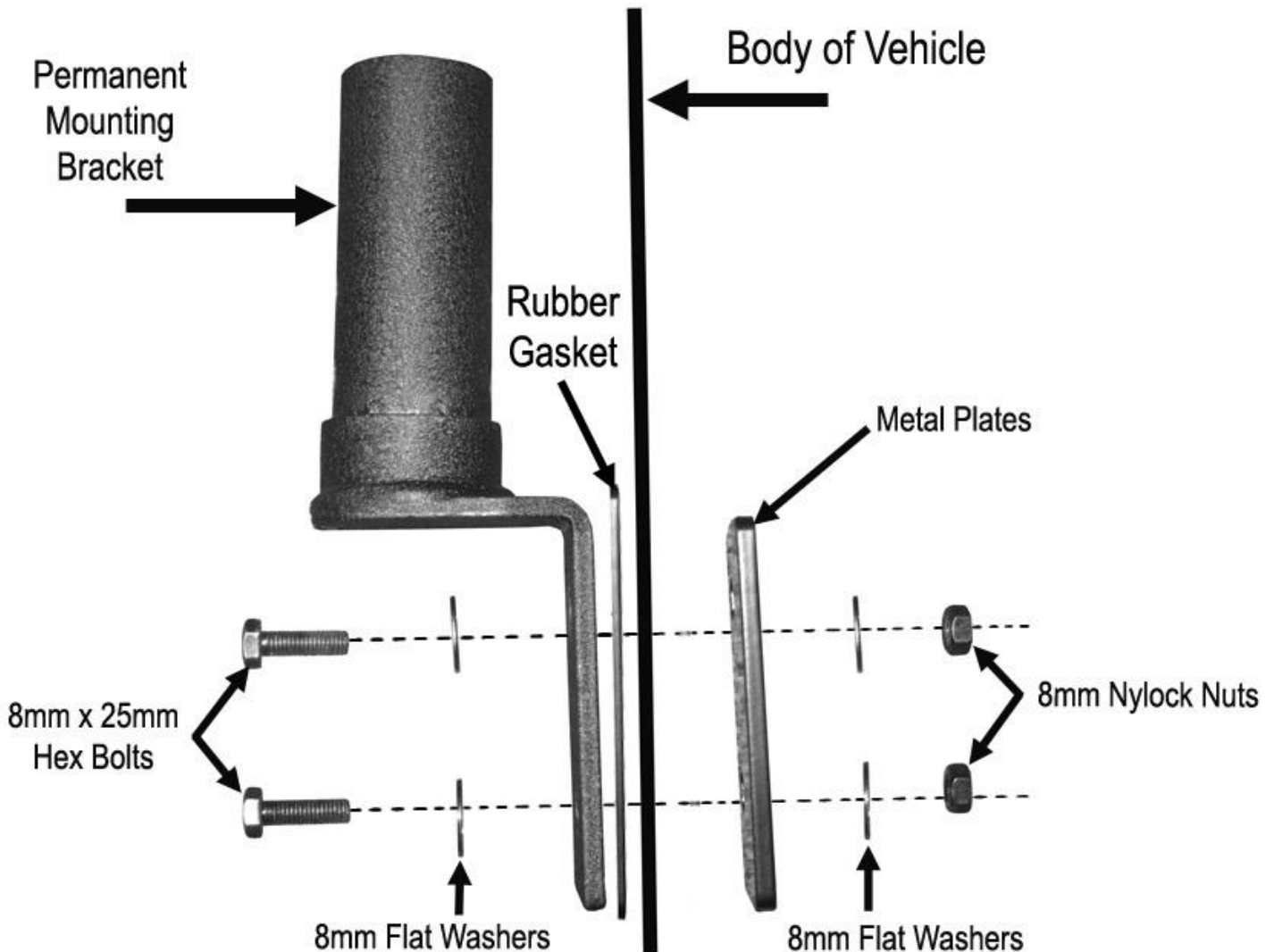


Fig 5



WWW.SMITYBILT.COM

SRC Roof Rack JL 4 door 2018+  
Part # 77717

**Step 12:** Install Anti-vibrating plugs to rear body panel driver and passenger.



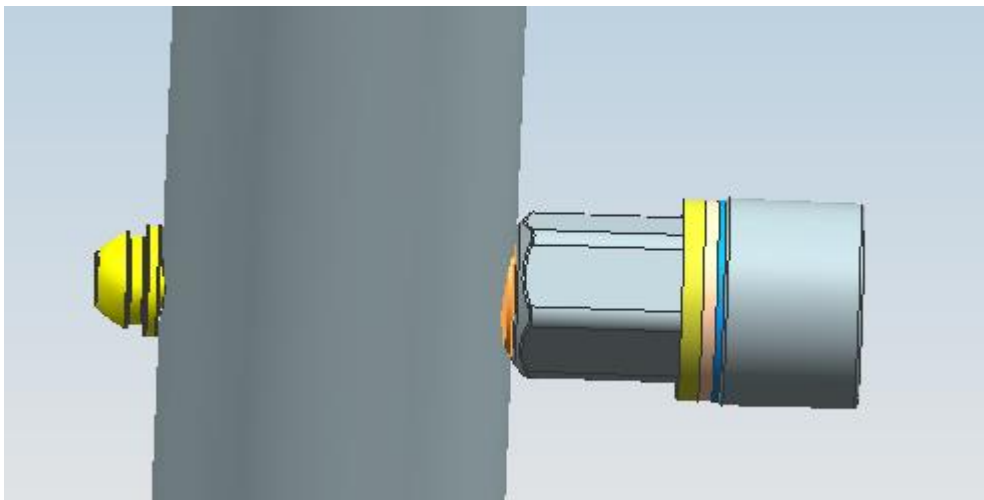
**Install Anti-vibrating plugs**

Button head bolt

Flat washer

Lock washer

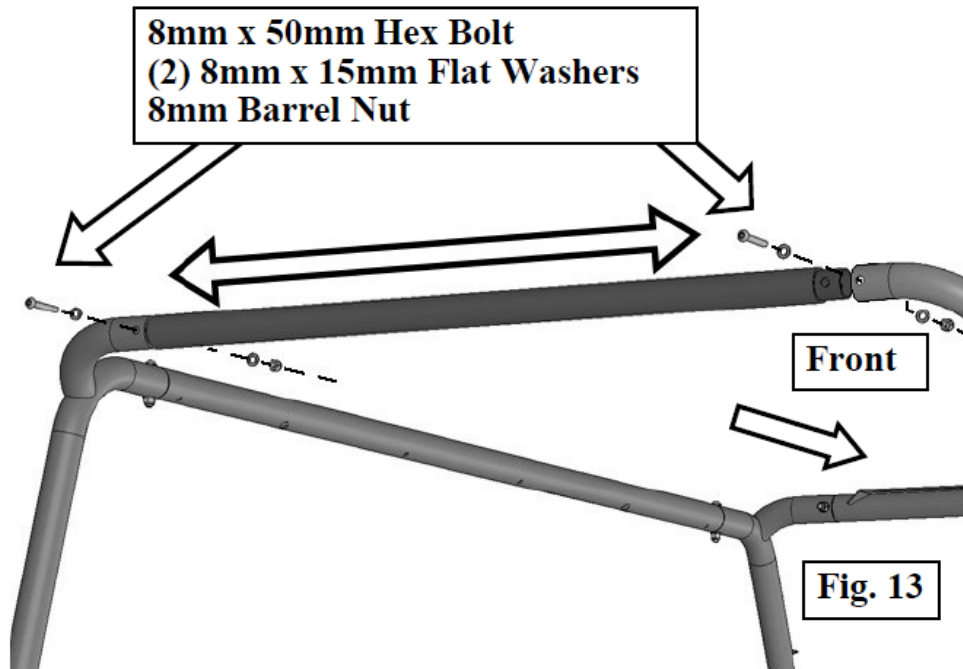
Rubber washer





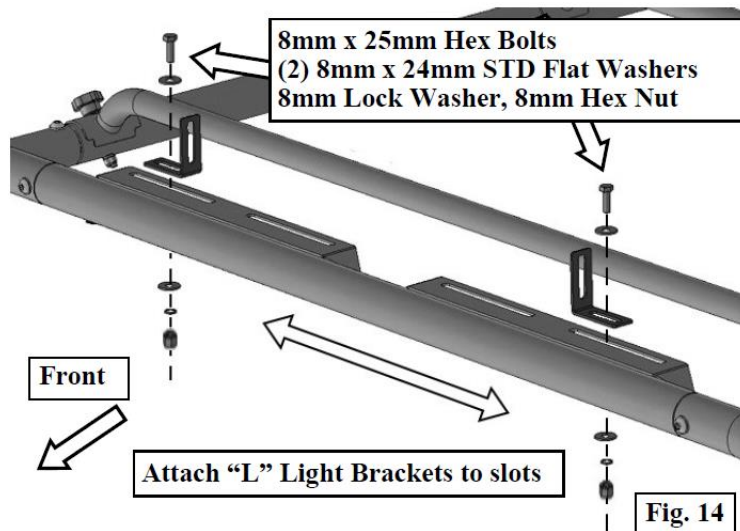
**SRC Roof Rack JL 4 door 2018+**  
**Part # 77717**

**Step 13:** Select the remaining Cross Rail. Repeat **Step 10** to attach the Cross Rail to the rear Rack Legs with **(2)** 8mm x 50mm Hex Bolts, **(4)** 8mm x 15mm Small Flat Washers and **(2)** 8mm Barrel Nuts, **(Fig. 13)**. Do not fully tighten.



**Step 14:** On models with antenna, slide the included Antenna Sleeve Tubing onto the antenna. You can use Black RTV silicon to help keep the tube in place.

**Step 15:** If bar style LED light will be installed, (not included), use brackets and hardware included with light or select **(2)** of the included "L" Light Bar Brackets, **(Fig. 14)**. Attach the Brackets to the top of the Roof Rack with the included **(2)** 8mm x 25mm Hex Bolts, **(4)** 8mm Flat Washers, **(2)** 8mm Lock Washers and **(2)** 8mm Hex Nuts.



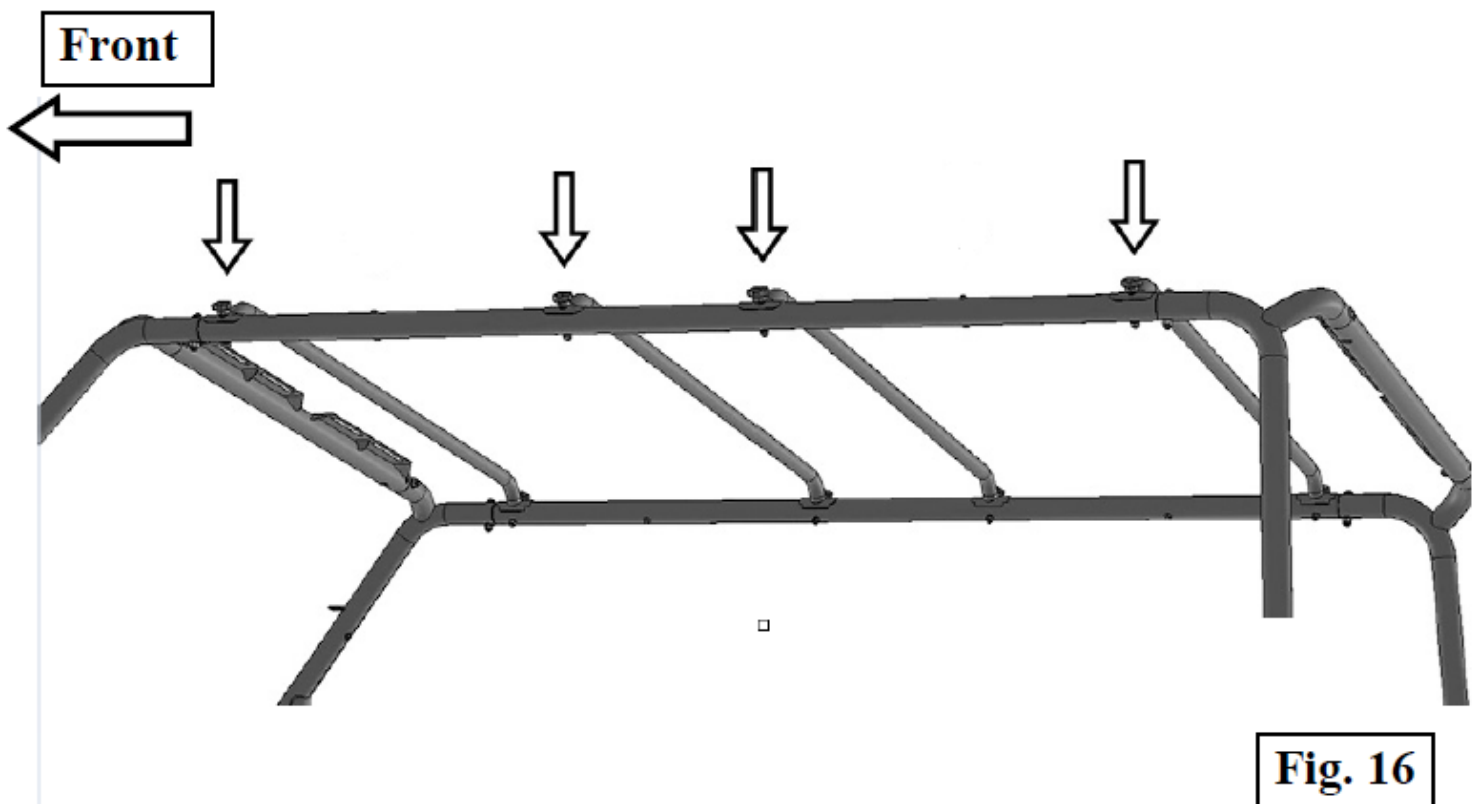
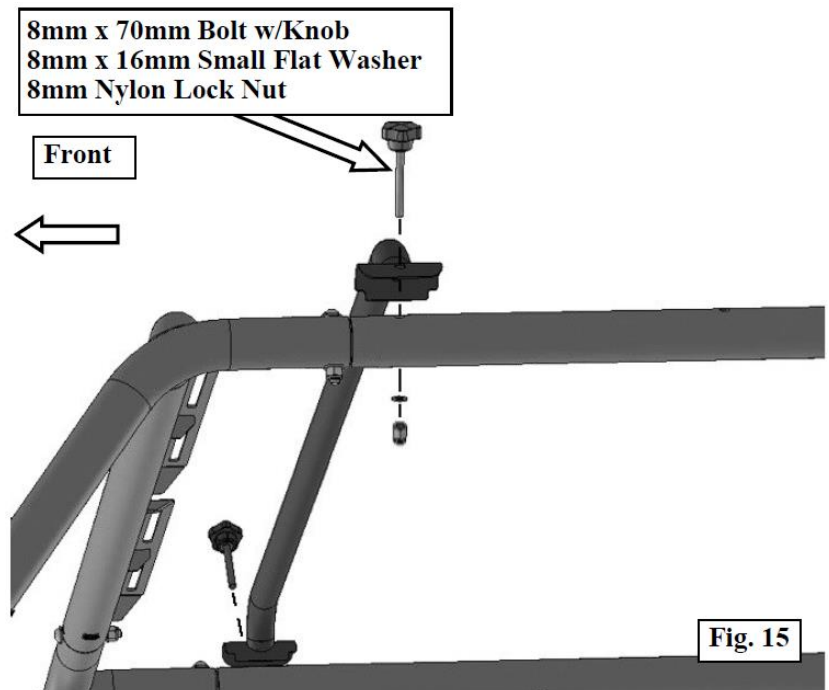


WWW.SMITYBILT.COM

**SRC Roof Rack JL 4 door 2018+  
Part # 77717**

**Step 16:** Next, select **(1) Cargo Cross Bar, (Fig. 15)**. Attach the Crossbar to the top of the Side Rails with **(2) 8mm x 70mm Bolts with integrated Knobs, (2) 8mm x 16mm Small Flat Washers** and **(2) 8mm Nylon Lock Nuts, (Fig. 15)**. Repeat this Step to install the remaining **(3) Cross Bars** in desired locations.

**NOTE:** **(4) Cross Bars** are included with the Roof Rack and can be installed in any of the **(6) mounting locations** depending on size and shape of roof basket (not included) or accessories, (Fig. 16).

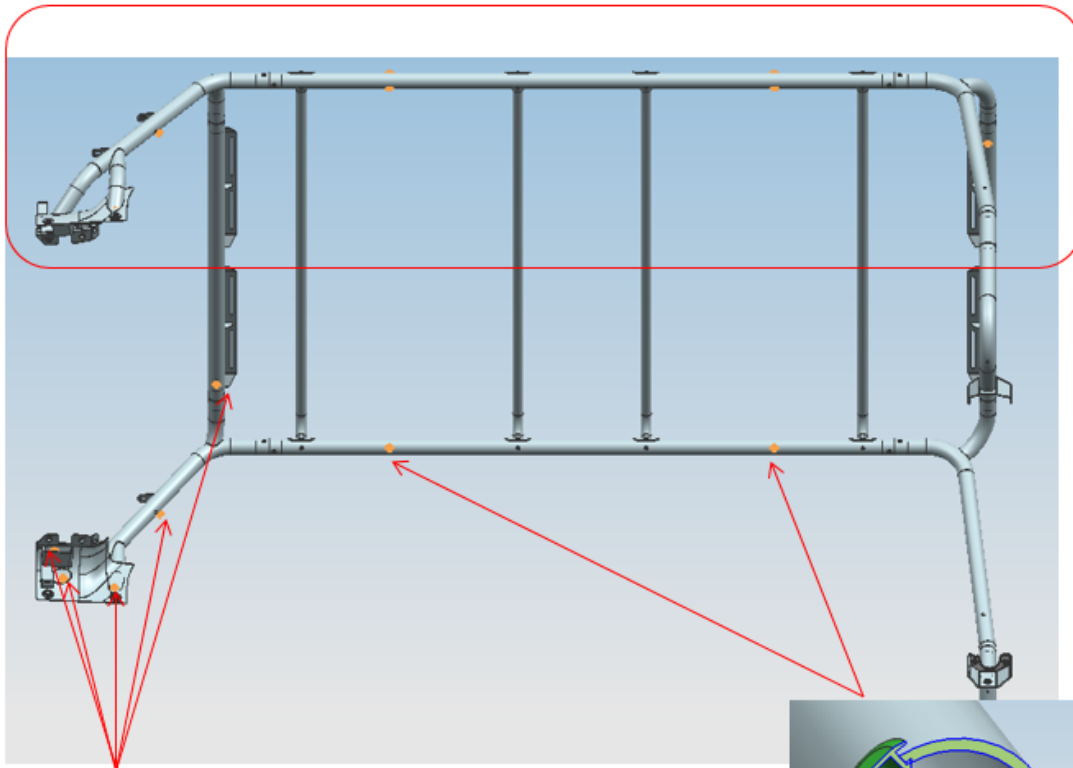




WWW.SMITTYBILT.COM

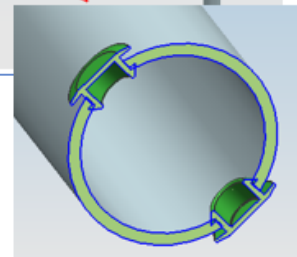
SRC Roof Rack JL 4 door 2018+  
Part # 77717

**Note:** Sealing grommets are included. Fig XX shows where you can place the sealing grommets. They can be used to seal any holes that are not used by a removable crossbar.

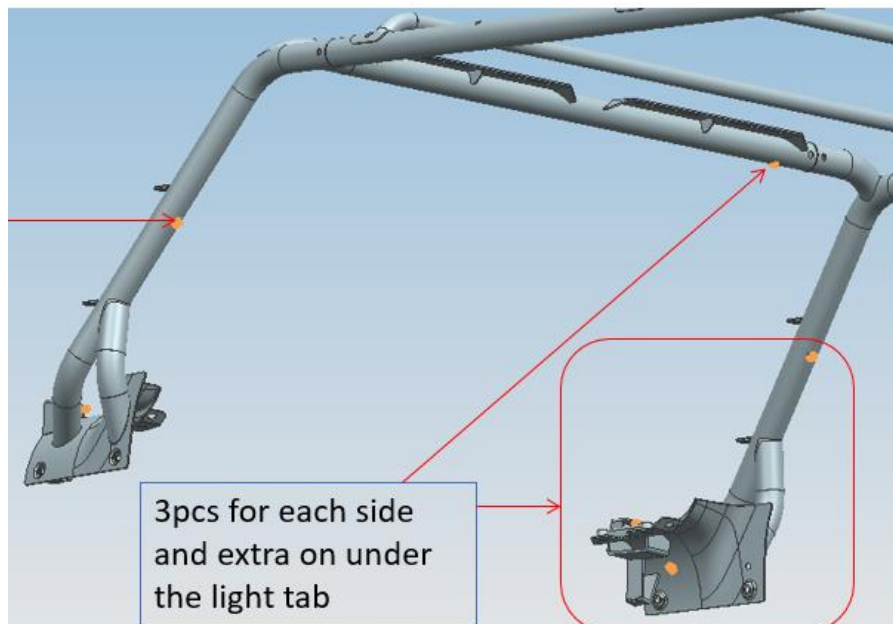


1pc for each location,  
use to seal the wire  
hole when no lights  
installed

2pcs for each location,  
use to seal the hole  
when no cross bar  
installed



**Note:** Wire grommets  
can be used to protect  
any light wiring that you  
chose to run through the  
front uprights.



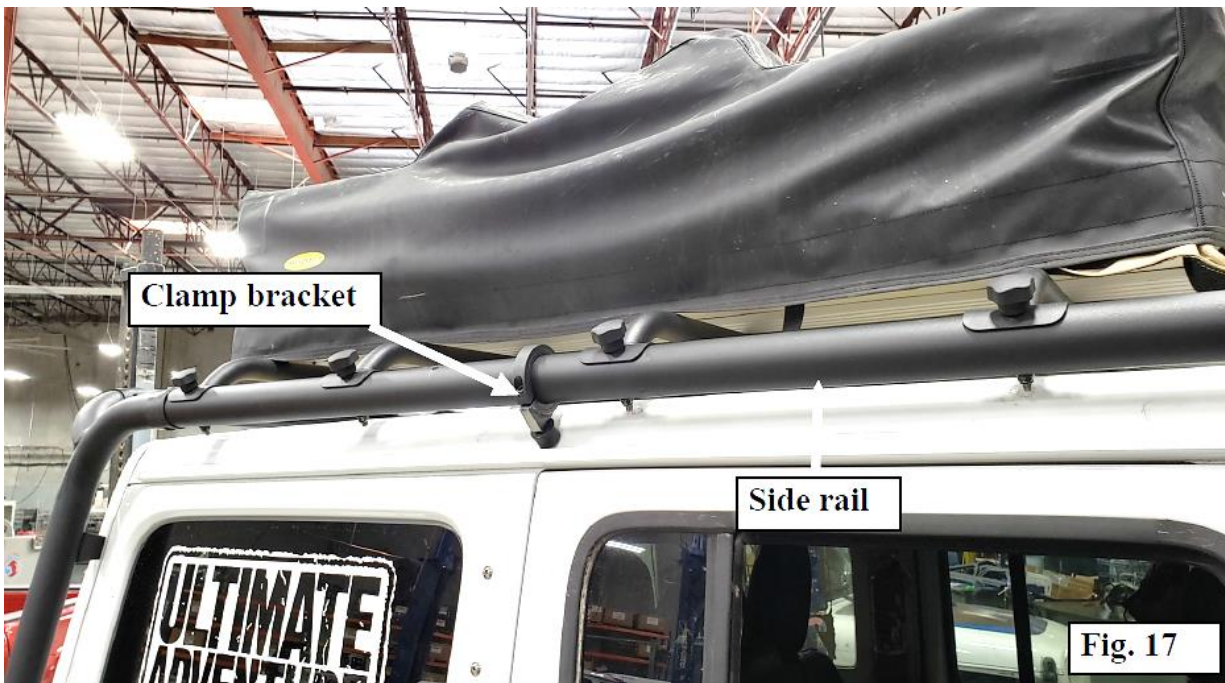
3pcs for each side  
and extra on under  
the light tab



WWW.SMITYBILT.COM

SRC Roof Rack JL 4 door 2018+  
Part # 77717

**Step 17:** Install clamp bracket to side rail, be sure to center the bracket to the weight on the rack to evenly distribute the load. Tighten. **(Fig. 17)**. It cannot be used on vehicles with a soft top.



**Step 18:** Insert Duck bill valve under rear Rack legs driver and passenger. **(Fig. 18)**.





**SRC Roof Rack JL 4 door 2018+**  
**Part # 77717**

**Step 19:** Check the Roof Rack for alignment, adjust as necessary and fully tighten all hardware. Start tightening sequence at the base of the front Mounting Legs, then move to rear Mounting Bases, Rear and Front Cross Rails, both Side Rails and all Crossbars.

**Step 20:** Reinstall front cowl, plastic trim panel and wiper arm assemblies.

**Step 21:** Do periodic inspections to the installation to make sure that all hardware is secure and tight. Check hardware after the first 50 miles

**To protect your investment,** Do not use any type of polish or wax that may contain abrasives that could damage the finish. Mild soap may be used to clean the Roof Rack.

**WARNING: Cancer and Reproductive Harm -**  
[www.P65Warnings.ca.gov](http://www.P65Warnings.ca.gov)

**Jeep®** is a registered trademark of DaimlerChrysler. ... **Jeep** , Wrangler, Cherokee, and Grand Cherokee are copyrighted and trademarked to Daimler-Chrysler Corporation. **Smittybilt** is not in any way associated with the Daimler-Chrysler Corp

Use this only as a guide for hardware without a called out torque specification in the instruction manual.

<b>Bolt Torque and ID</b>						
Decimal System			Metric System			
All Torques in Ft. Lbs. Maximums						
Bolt Size	Grade 5	Grade 8	Bolt Size	Class 9.8	Class 10.9	Class 12.9
5/16	15	20	M6	5	9	12
3/8	30	45	M8	18	23	27
7/16	45	60	M10	32	45	50
1/2	65	90	M12	55	75	90
9/16	95	130	M14	85	120	145
5/8	135	175	M16	130	165	210
3/4	185	280	M18	170	240	290

1/2-13x1.75 HHCS    Grade 5    Grade 8  
(No. of Marks + 2)

D T L X

M12-1.25x50 HHCS

D T L X

G = Grade (Bolt Strength)                      P = Property Class (Bolt Strength)

D = Nominal Diameter (Inches)                D = Nominal Diameter (Millimeters)

T = Thread Count (Threads per Inch)        T = Thread Pitch (Thread Width, mm)

L = Length (Inches)                              L = Length (Millimeters)

X = Description (Hex Head Cap Screw)        X = Description (Hex Head Cap Screw)



WWW.SMITTYBILT.COM

SRC Roof Rack JL 4 door 2018+  
Part # 77717





**SRC Roof Rack JL 4 door 2018+**  
**Part # 77717**

### **Limited Warranties**

Smittybilt's products are covered under the following limited warranties only. Note that the duration of the limited warranty differs according to the material and finish of the product purchased. This powder coated rack carries a 5 year finish warranty against manufactures defects. IT does not cover normal wear and tear to the finish due to usage, loading or movement of items. Subject to the duration and conditions of the limited warranty stated below, Smittybilt warrants to the original retail purchaser that its products are free from defects in material and workmanship. All other warranties and representations express or implied, are hereby disclaimed, including fitness for merchantability and buyer's intended use or purpose. All parts are sold "AS IS" except for the limited warranties granted herein. Buyer assumes all risks as to the selection, suit-ability and performance of all goods and products selected. This limited warranty does not cover damage or impairment in any part due to misuse, improper installation, accident or contact with on-road or off-road hazards, product modification, improper or inadequate cleaning and/or maintenance. Smittybilt is not responsible for items damaged during shipping. This warranty is not transferable from the original buyer. For the original Buyer to be eligible for the limited warranty coverage, the Buyer must provide proof of purchase. Smittybilt strongly recommends returning the warranty registration card.

Customer's remedy hereunder shall be limited only to repair or replacement (at Smittybilt's option) of any defective part(s) returned to Smittybilt at customer's expense. The determination of whether or not a returned part is defective or subject to coverage under the limited warranties stated herein shall be made at Smittybilt's sole discretion.

To assure product quality, Smittybilt reserves the right to change product design, material, specification and finishes without prior notice to customers. This limited warranty gives you specific legal rights and you may also have other rights, which may vary from state to state. Some states do not allow limitations on how long an implied warranty lasts, so the above limitations may not apply as to you. Also, some states do not allow the exclusion or limitation of incidental or consequential damages, so the above limitations or exclusions may not apply to you. Smittybilt reserves the right to discontinue product lines and substitute products or provide other remedies than those listed in this limited warranty for those discontinued products.

### **Warning**

Rollover and other types of vehicle accidents may result in serious injury or death to you, your passengers and others sharing the road. Smittybilt accessories are decorative and are not intended to reduce or avoid injury or damage in the event of an accident. The weight and location of Smittybilt accessories may affect your vehicles' handling, stability and performance, creating an increased risk of accident or rollover. Before installing any accessory, check state laws and assure that the accessory will not obscure any lights or interfere with proper operation on your vehicle's safety equipment. Consult your owner's manual and the Smittybilt instructions, or additional safety information. Smittybilt products, nor the warnings contained herein, are not a substitute for your safe driving. Don't drink and drive, always use seat belts and don't drive faster than conditions permit.