



WWW.SMITTYBILT.COM

Installation Instructions

2844 Trail Jack Mount

Part#2844

Fits #2843 HD Pivot Tire Carrier

NOTE: Carefully read entire instructions thoroughly before attempting to install this part.

Parts included	Qty
Trail Jack Mount	1
M12-1.75x65mm cup head square neck step bolt	1
M12-1.75x35mm hex head bolt	2
M12 flat washer (32mm OD)	3
M12 lock washer	3
M12 Nylock nut	3
M8-1.25x30mm hex head bolt	1
M8-1.25 Nylock nut	1
M8-1.25 x 70mm hex head bolt	1
M8 flat washer	2
M8 lock washer	2
Spacer tube long	1

NOTE: Trail jack mount bracket can be installed without removing the spare tire in most cases. However, it is easiest to install if the tire is removed.

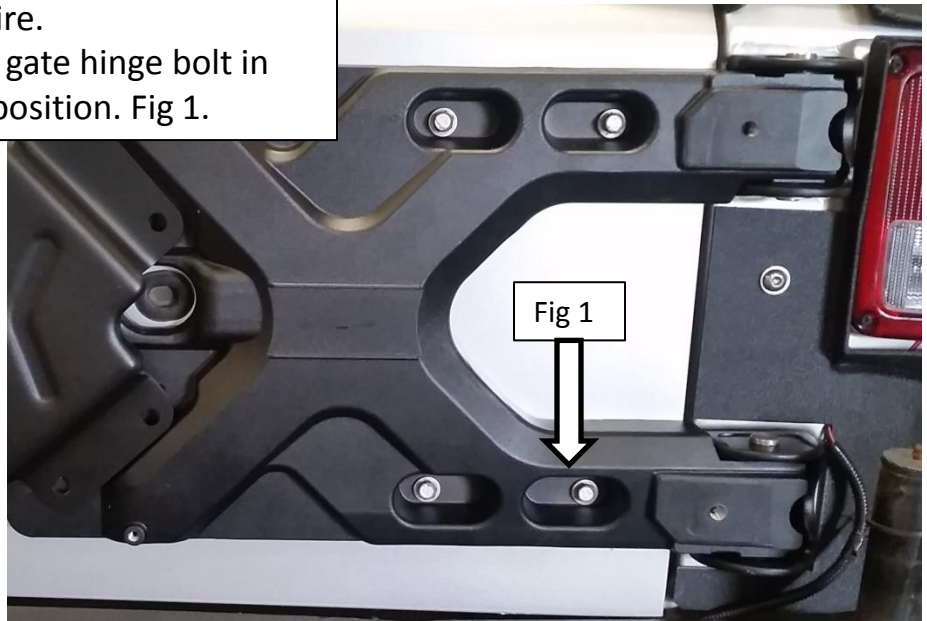
NOTE: Depending on rear bumper style, you may have some hardware left over after the install.

Some tail light guards/accessories may interfere with jack when tailgate is completely opened. Use caution when opening tail gate completely.

****Actual mount design may vary from photo. Install remains the same. ****

Step 1: Remove spare tire.

Step 2: Remove the tail gate hinge bolt in the bottom right most position. Fig 1.



For Technical Support/Warranty Information please call 310-762-9944
Smittybilt, 400 W. Artesia Blvd Compton, CA 90220

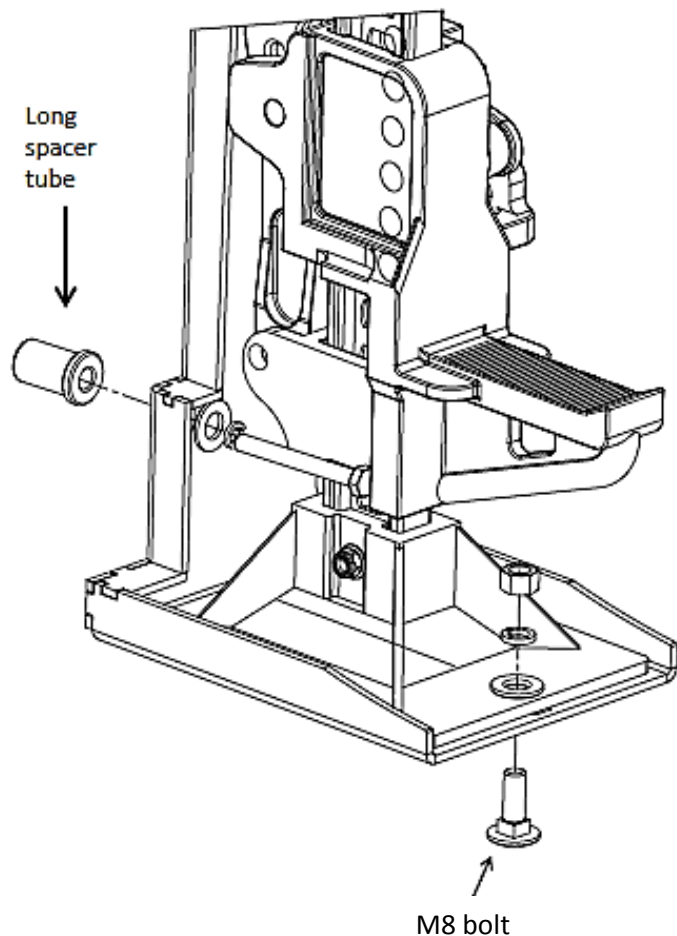
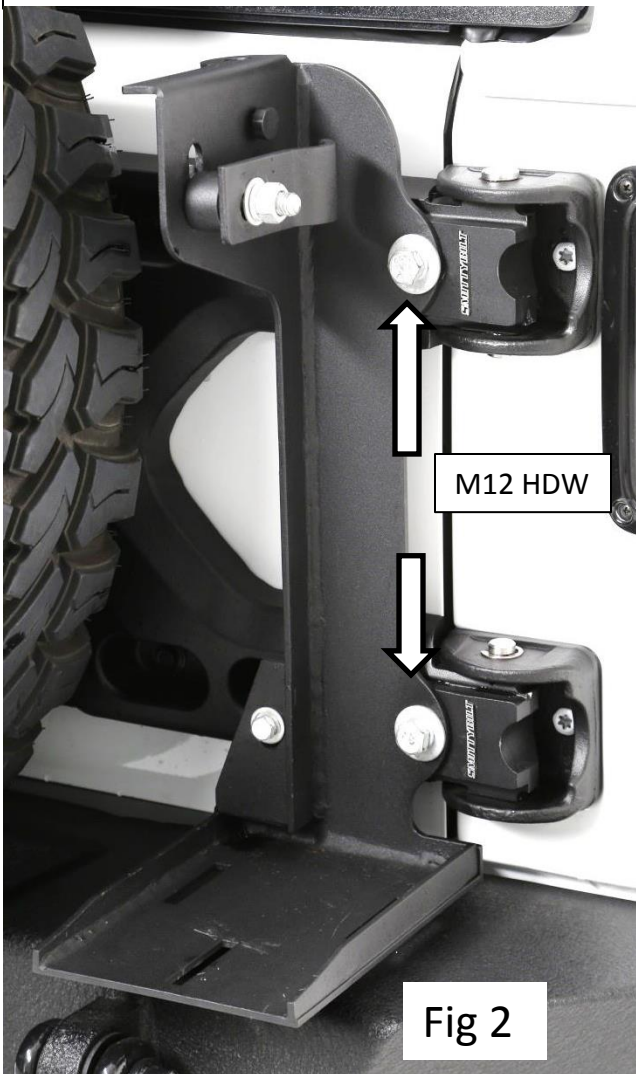


WWW.SMITTYBILT.COM

Installation Instructions
2844 Trail Jack Mount
Part#2844

Step 3: Install the jack mount onto the spare tire mount using the existing threaded holes in the tire mount. Use M12 bolts, flat washer and lock washer. DO NOT tighten this hardware yet. Fig 2. Apply anti-seize to the threads of the bolts going into the aluminum spare tire mount.

Step 4: Install the long spacer tube between jack mount and spare tire mount. You will place a large OD flat washer between the spacer tube and the tire mount. Secure with M8 bolt, large OD flat washer, and lock washer. Fig 3. Now tighten all jack mount mounting hardware



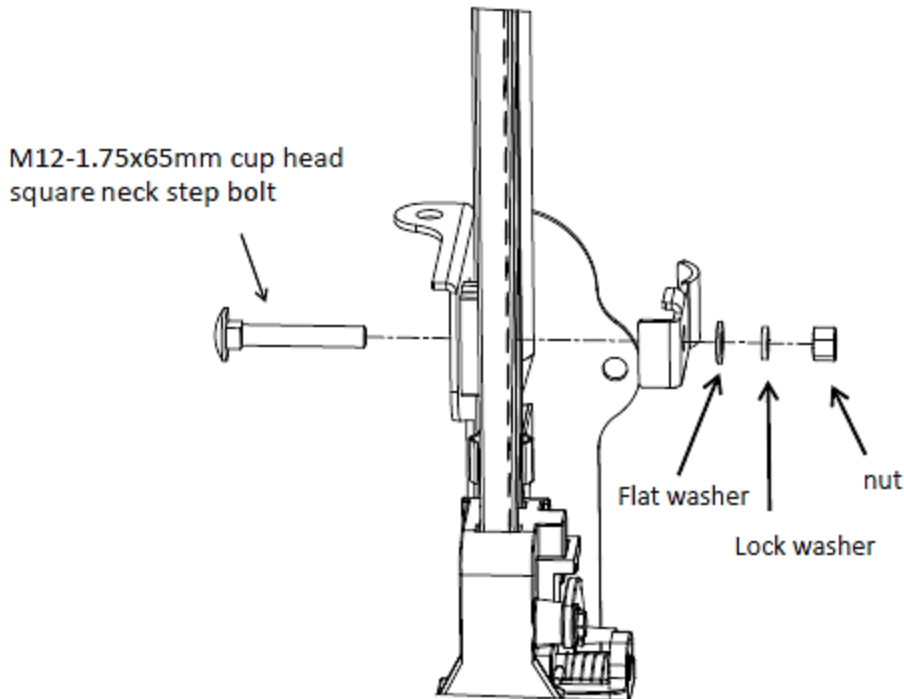
For Technical Support/Warranty Information please call 310-762-9944
Smittybilt, 400 W. Artesia Blvd Compton, CA 90220



WWW.SMITTYBILT.COM

Installation Instructions
2844 Trail Jack Mount
Part#2844

Step 5: Install trail jack. Using M12 hardware and medium&short spacer tube. Secure jack to jack mount. Fig 4. Make sure jack is in the lowest position with the jack mechanism engaged in the lifting position.



Step 6: Secure jack base to jack mount using M8 hardware. The jack mount has 3 slotted holes to accommodate many different manufactures jacks and bumpers. Only use the holes that may be accessed. Open tire swing to allow access to the bottom of the jack mount. In some cases you may only be able to secure jack base with only one bolt.

NOTE: Due to manufacturing differences, some trail jacks may need to have the base hole drilled out to allow M8 bolt to be installed.

Step 7: Periodically check torque on all fasteners. Check fasteners before and after each off-road use.

NOTE: Hole near jack is used to mount such items as two-way radio antenna. This hole can also be used as a lock location, most cable style gun locks can be used to secure jack to jack mount to help prevent theft.

For Technical Support/Warranty Information please call 310-762-9944
Smittybilt, 400 W. Artesia Blvd Compton, CA 90220