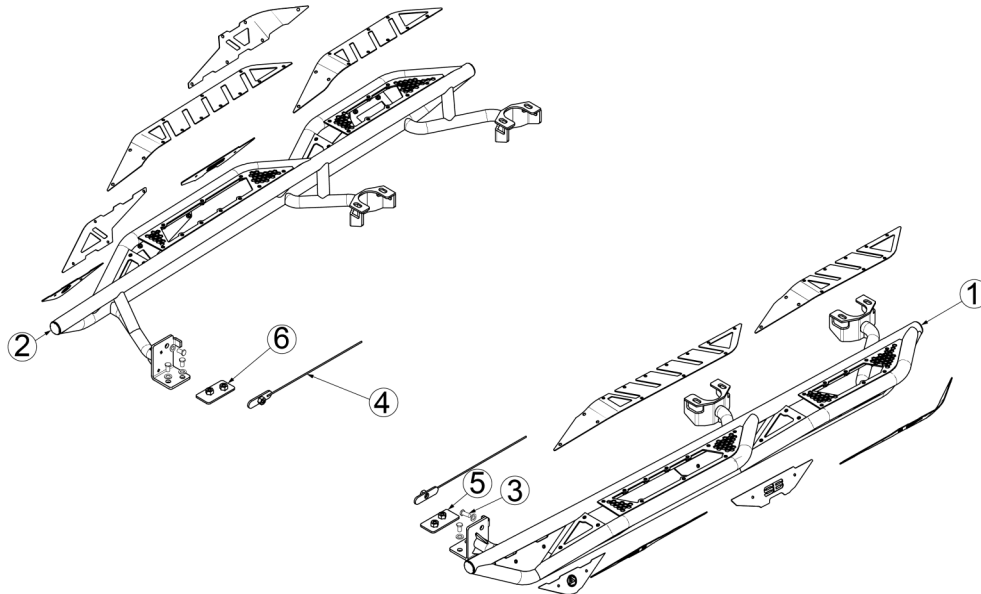




Installation Instructions:

(Part # SB76633 2DR, SB76634 4DR,
Apollo 76733 2DR, 76734 4DR)
2007-2018 Jeep JK Sliders/Steps

NOTE: Carefully read entire instructions thoroughly before attempting to install this part



Smittybilt SB76633, 2 door	Qty	ID
76633DS Driver side	1	1
76633PS Passenger side	1	2
SB7734-02 M12 hardware pack	1	3
401TU215 Wired nut-plate	2	4
401TU216 Driver side nut-plate	1	5
401TU217 Passenger side nut-plate	1	6

Smittybilt SB76634, 2 door	Qty	ID
766334DS Driver side	1	1
766334PS Passenger side	1	2
SB7734-02 M12 hardware pack	1	3
401TU215 Wired nut-plate	2	4
401TU216 Driver side nut-plate	1	5
401TU217 Passenger side nut-plate	1	6

Apollo 76733, 2 door	Qty	ID
76733DS Driver side	1	1
76733PS Passenger side	1	2
SB7734-02 M12 hardware pack	1	3
401TU215 Wired nut-plate	2	4
401TU216 Driver side nut-plate	1	5
401TU217 Passenger side nut-plate	1	6

Apollo 76734, 4door	Qty	ID
76734DS Driver side	1	1
76734PS Passenger side	1	2
SB7734-02 M12 hardware pack	1	3
401TU215 Wired nut-plate	2	4
401TU216 Driver side nut-plate	1	5
401TU217 Passenger side nut-plate	1	6

Tools Required:

Torque wrench

Pliers

Metric Allen bit set

Metric socket & wrench set

For Technical Support/Warranty Information please call 310-762-9944



Installation Instructions:

(Part # SB76633 2DR, SB76634 4DR,
Apollo 76733 2DR, 76734 4DR)
2007-2018 Jeep JK Sliders/Steps

INSTALLATION:

Chock all four wheels and make sure parking brake is engaged before starting this installation procedure.

- Step 1 : Remove any OE rub rails or running boards. Consult your owner's manual if needed.
- Step 2 : Open the box containing your new sliders, check all parts against the bill of materials, if anything is missing contact Smittybilt technical support immediately.
- Step 3 : Locate the body mounts below the doors, under the vehicle. With a 16mm socket remove the **(2 each)** outer nuts (**Fig. A.**)
- Note** : 4 door models will have three body mounts per side, 2 door models will only have two.

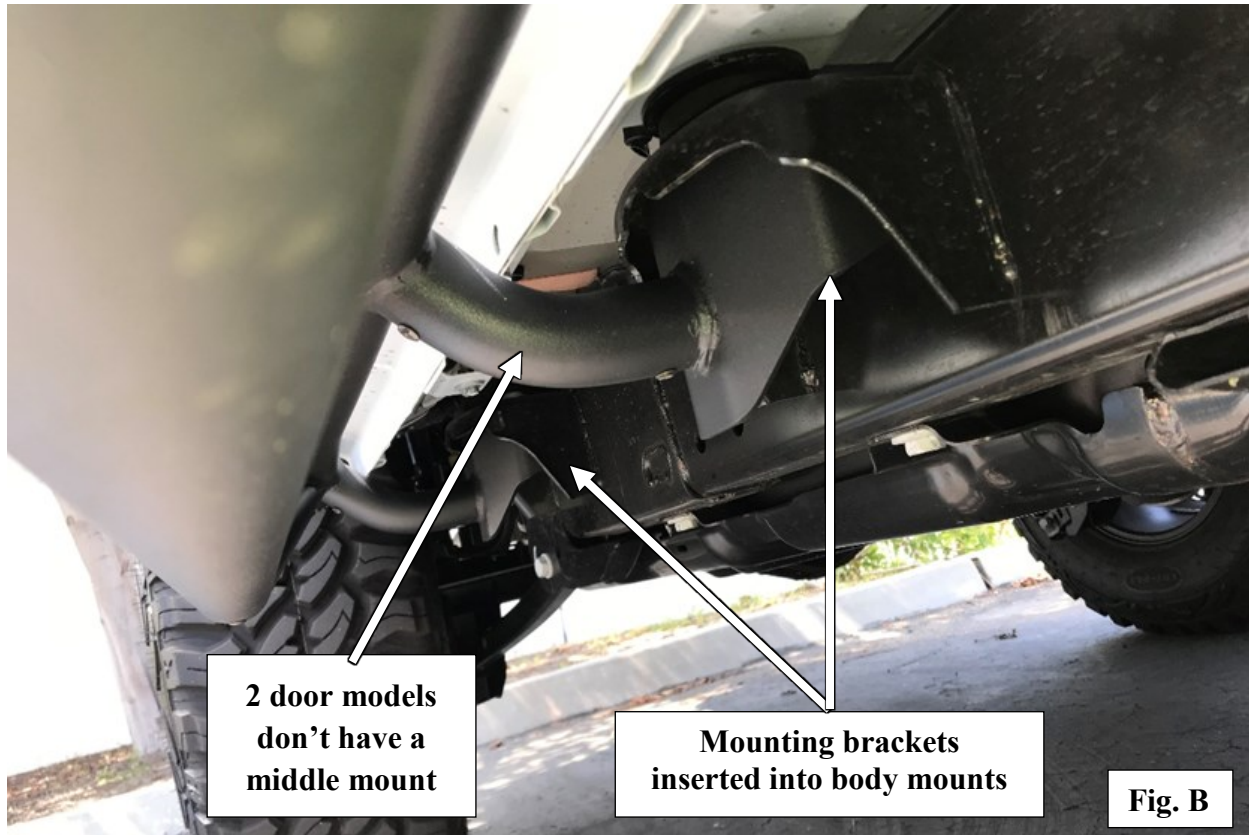


For Technical Support/Warranty Information please call 310-762-9944



Installation Instructions:
(Part # SB76633 2DR, SB76634 4DR,
Apollo 76733 2DR, 76734 4DR)
2007-2018 Jeep JK Sliders/Steps

Step 4 : Match the sliders/steps to their corresponding sides of the vehicle. Carefully lift and insert the mounting brackets into the body mounts on the frame. **(Fig B)** Secure in place by loosely re-installing the OE nuts removed in **Step 5 (Fig A)**. Repeat this step on opposite side of vehicle



For Technical Support/Warranty Information please call 310-762-9944



Installation Instructions:
(Part # SB76633 2DR, SB76634 4DR,
Apollo 76733 2DR, 76734 4DR)
2007-2018 Jeep JK Sliders/Steps

Step 5 : When both sides are adjusted, and you're satisfied with fitment, tighten and torque all hardware to 50ft-lbs. Install is complete. (Fig C, SB76634) (Fig D, Apollo 76734)



Smittybilt SB76634 shown

Fig. C



Apollo 76734 shown

Fig. D

For Technical Support/Warranty Information please call 310-762-9944



Installation Instructions:

(Part # SB76633 2DR, SB76634 4DR,
Apollo 76733 2DR, 76734 4DR)
2007-2018 Jeep JK Sliders/Steps

Use this only as a guide for hardware without a called out torque specification in the instruction manual.

Bolt Torque and ID						
Decimal System			Metric System			
All Torques in Ft. Lbs. Maximums						
Bolt Size	Grade 5	Grade 8	Bolt Size	Class 9.8	Class 10.9	Class 12.9
5/16	15	20	M6	5	9	12
3/8	30	45	M8	18	23	27
7/16	45	60	M10	32	45	50
1/2	65	90	M12	55	75	90
9/16	95	130	M14	85	120	145
5/8	135	175	M16	130	165	210
3/4	185	280	M18	170	240	290

<p>1/2-13x1.75 HHCS</p> <p>D T L X</p>	<p>M12-1.25x50 HHCS</p> <p>D T L X</p>
<p>Grade 5 Grade 8 (No. of Marks + 2)</p>	<p>P = Property Class (Bolt Strength) D = Nominal Diameter (Millimeters) T = Thread Pitch (Thread Width, mm) L = Length (Millimeters) X = Description (Hex Head Cap Screw)</p>

G = Grade (Bolt Strength)
D = Nominal Diameter (Inches)
T = Thread Count (Threads per Inch)
L = Length (Inches)
X = Description (Hex Head Cap Screw)

For Technical Support/Warranty Information please call 310-762-9944



Installation Instructions:

*(Part # SB76633 2DR, SB76634 4DR,
Apollo 76733 2DR, 76734 4DR)
2007-2018 Jeep JK Sliders/Steps*

Product cleaning and maintenance instructions

Stainless Steel Finish – Aluminum polish may be used to polish small scratches and scuffs on the finish. Mild soap, window or glass cleaner may be used to clean the finish. Dual state powder coat finish – Mild soap, window or glass cleaner may be used to clean the finish. In order to protect the finish, you may wax your product on a regular basis with pure carnauba automotive wax. Do not use any types of soap, polish or was that contains abrasive that could damage the finish. Textured coated finishes should be cleaned with a mild soap on a damp sponge. Do not apply polish or was that requires to be removed by means of buffing. This type of wax is commonly used at car wash facilities. Chrome Finish – Mild soap, window or glass cleaner may be used to clean the finish. In order to protect the finish, you should wax your product on a regular basis with pure carnauba automotive wax. Do not use any types of soap, polish or was that contains abrasive that could damage the finish.

Limited Warranties

Smittybilt's products are covered under the following limited warranties only. Note that the duration of the limited warranty differs according to the material and finish of the product purchased. Subject to the duration and conditions of the limited warranty stated below, Smittybilt warrants to the original retail purchaser that its products are free from defects in material and workmanship. All other warranties and representations express or implied, are hereby disclaimed, including fitness for merchantability and buyer's intended use or purpose. All parts are sold "AS IS" except for the limited warranties granted herein. Buyer assumes all risks as to the selection, suitability and performance of all goods and products selected. This limited warranty does not cover damage or impairment in any part due to misuse, improper installation, accident or contact with on-road or off-road hazards, product modification, improper or inadequate cleaning and/or maintenance. Smittybilt is not responsible for items damaged during shipping. This warranty is not transferable from the original buyer. For the original Buyer to be eligible for the limited warranty coverage, the Buyer must provide proof of purchase. Smittybilt strongly recommends returning the warranty registration card.

Customer's remedy hereunder shall be limited only to repair or replacement (at Smittybilt's option) of any defective part(s) returned to Smittybilt at customer's expense. The determination of whether or not a returned part is defective or subject to coverage under the limited warranties stated herein shall be made at Smittybilt's sole discretion.

To assure product quality, Smittybilt reserves the right to change product design, material, specification and finishes without prior notice to customers. This limited warranty gives you specific legal rights and you may also have other rights, which may vary from state to state. Some states do not allow limitations on how long an implied warranty lasts, so the above limitations may not apply as to you. Also, some states do not allow the exclusion or limitation of incidental or consequential damages, so the above limitations or exclusions may not apply to you. Smittybilt reserves the right to discontinue product lines and substitute products or provide other remedies than those listed in this limited warranty for those discontinued products.

Warning

Rollover and other types of vehicle accidents may result in serious injury or death to you, your passengers and others sharing the road. Smittybilt accessories are decorative and are not intended to reduce or avoid injury or damage in the event of an accident. The weight and location of Smittybilt accessories may affect your vehicles' handling, stability and performance, creating an increased risk of accident or rollover. Before installing any accessory, check state laws and assure that the accessory will not obscure any lights or interfere with proper operation on your vehicle's safety equipment. Consult your owner's manual and the Smittybilt instructions, or additional safety information. Smittybilt products, nor the warnings contained herein, are not a substitute for your safe driving. Don't drink and drive, always use seat belts and don't drive faster than conditions permit.

For Technical Support/Warranty Information please call 310-762-9944

Smittybilt, 400 W. Artesia, Compton, CA 90220