



Installation Instructions

SRC Classic Rear Bumper (#76750, 76750D,
76651-01, 76651D-01)
1976-2006 Jeep CJ & Wranglers

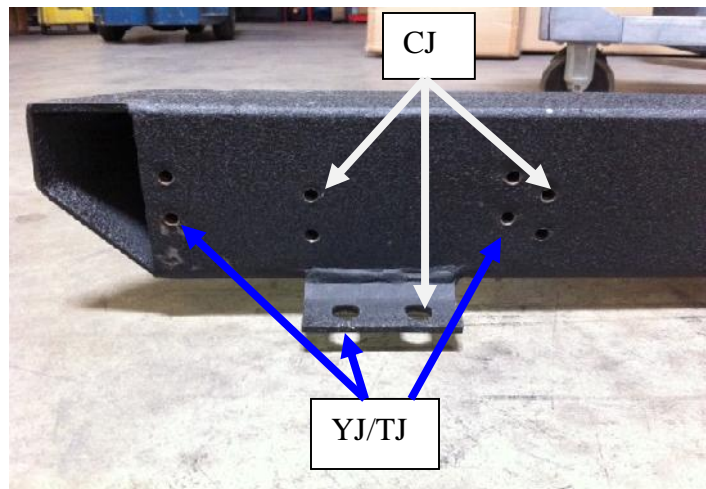
NOTE: Carefully read entire instructions thoroughly before attempting to assemble and/or install this part. Dropping the gas tank will make installation easier and drilling is required on some applications. Use extreme caution when doing so.

Parts Included	Qty
Rear Bumper	1
Backing Plates	4
3/8" x 1 1/4" Hex Bolts	8
3/8" Flat Washers	8
3/8" Lock Washers	8
7/16" x 1 1/4" Hex Bolts	2
7/16" Flat Washers	2
7/16" Lock Washers	2
Self Tapping Bolt	2

Note: Actual hardware may be Metric, which would coincide with the standard size shown.

Installation Instructions

1. Remove factory bumper/bumperettes if equipped.
2. Determine your mounting locations. (Fig A)



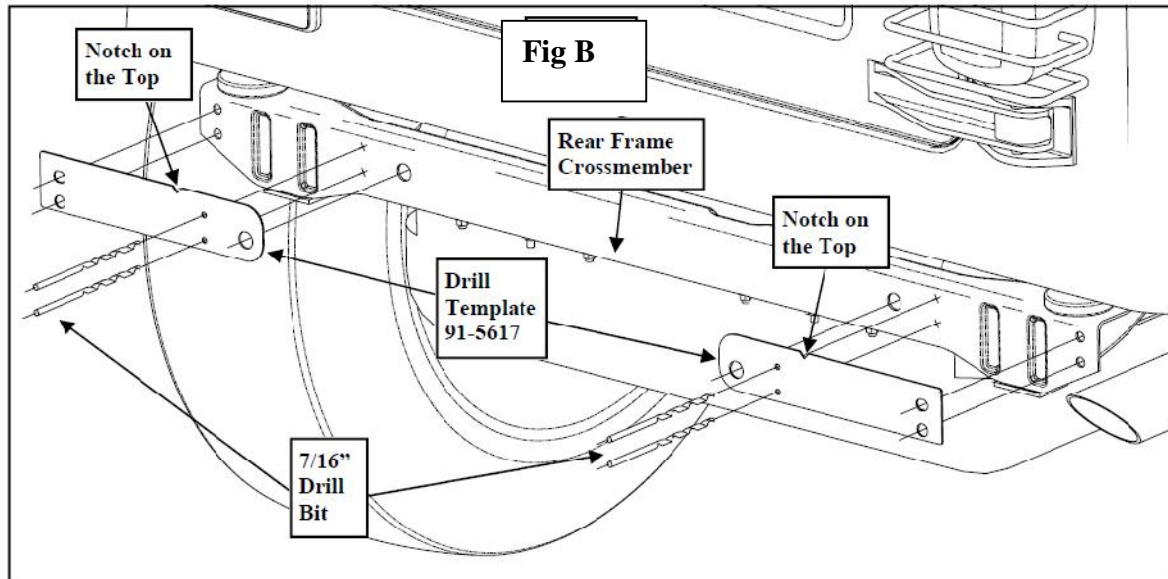
(Fig A)

3. CJ and YJ vehicles skip to Step 4. On some TJ's the inner two mounting holes will need to be drilled. Locate the included template and hold it up against the rear frame lining the outer holes with the holes on the rear frame. Note: The notch on the template goes on top; just flip the template to use on the other side of vehicle. Use template to mark inner holes and then drill using a 7/16" drill bit. (Fig B)



Installation Instructions

SRC Classic Rear Bumper (#76750, 76750D,
76651-01, 76651D-01)
1976-2006 Jeep CJ & Wranglers



Use extreme caution when drilling in order not to drill into the fuel tank. It is recommended to use a drill stop on the drill bit.

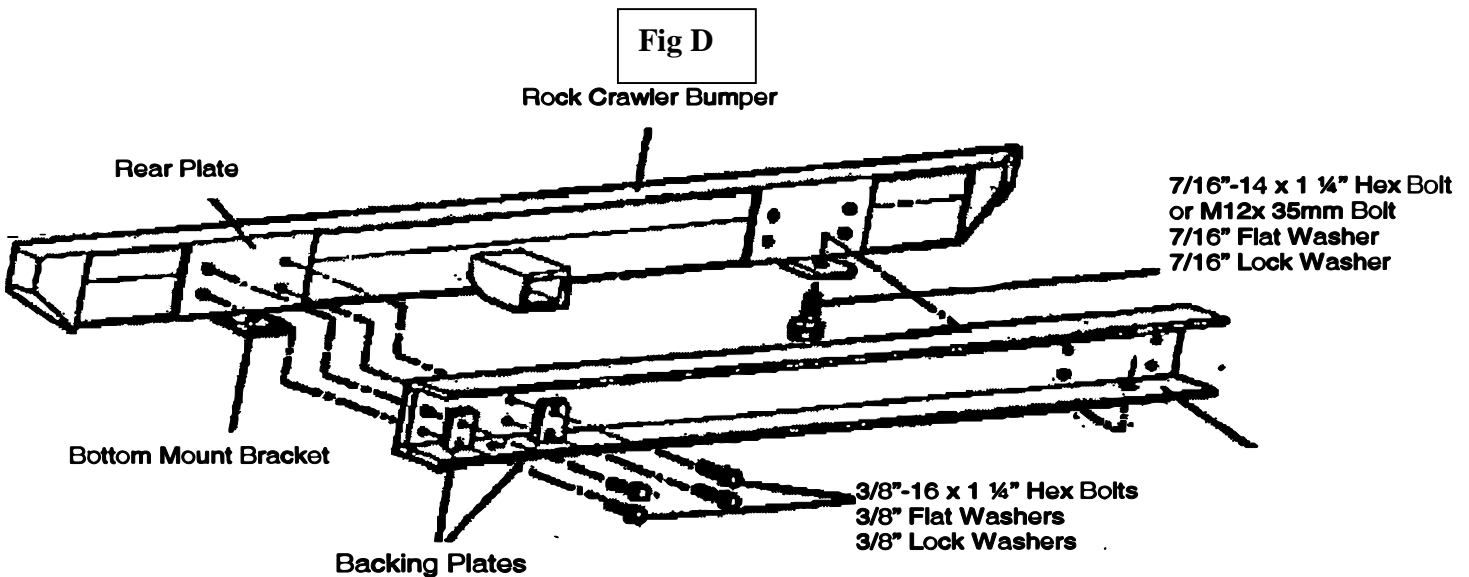
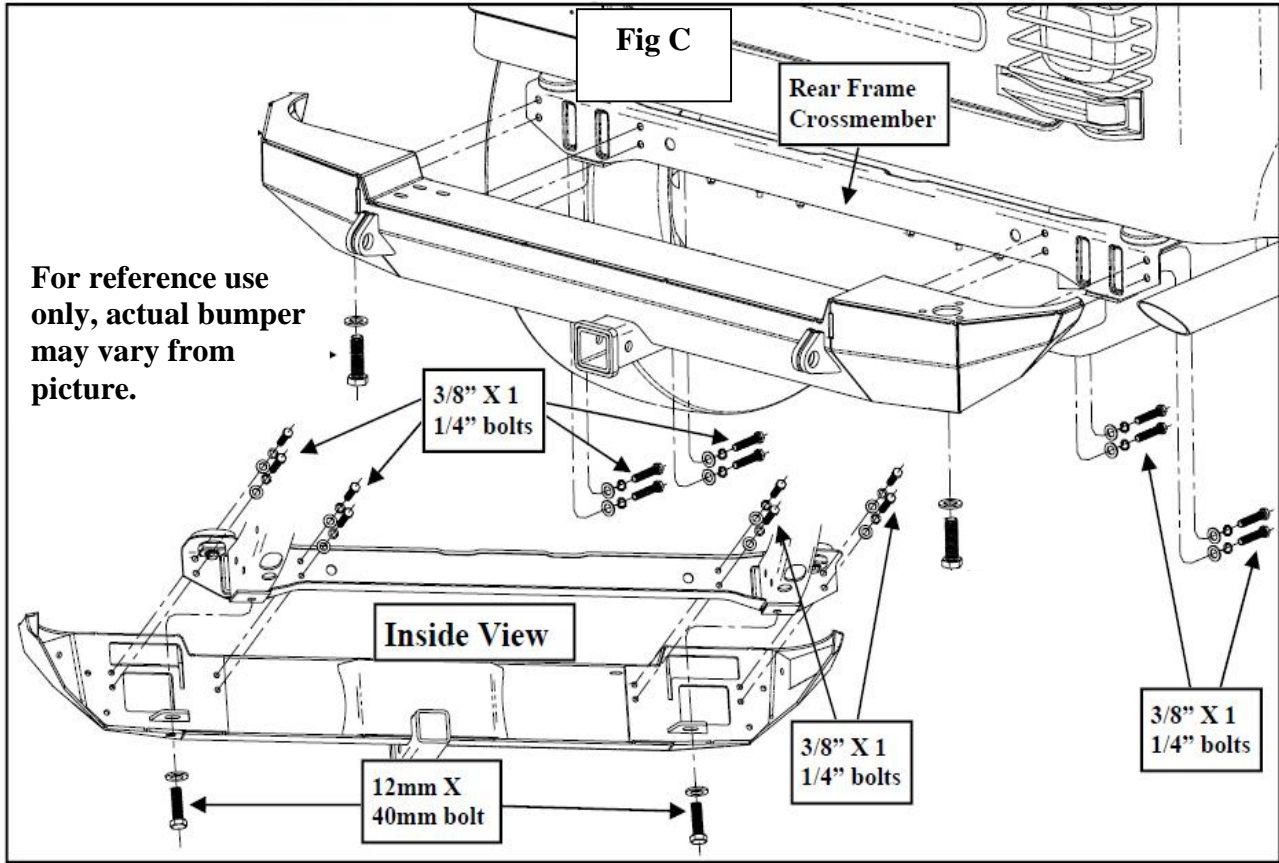
(Figures C, D, E)

4. With assistance hold the bumper up against frame rail and install the two (1 per side) 12mm bottom bolts that go up into factory holes. (Do not tighten completely) **Note:** if equipped, the factory bolt can be used in this step.
5. Install outer two bolts (2 per side) into the bumper. First place backing plate on back side of frame and the insert bolt through backing plate, and then through the back frame into the bumper. (Do not tighten completely at this time. (Fig E,F)
6. Install the inner two bolts (2 per side) through the previously drilled holes. Again using the backing plates behind the frame rail. Note: This can be difficult later and is easier now when bumper is loose. NOTE: on some applications it may be easier to lower the vehicles fuel tank in order to install. If doing so use extreme caution and follow manufactures guidelines while doing so.
7. Repeat Step 4 for opposite side.



Installation Instructions

SRC Classic Rear Bumper (#76750, 76750D, 76651-01, 76651D-01)
1976-2006 Jeep CJ & Wranglers





Installation Instructions

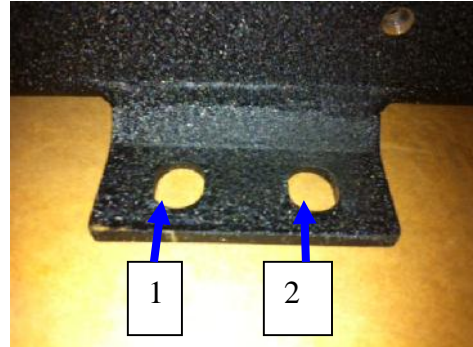
SRC Classic Rear Bumper (#76750, 76750D,
76651-01, 76651D-01)
1976-2006 Jeep CJ & Wranglers



(Fig E)



(Fig F)



(Fig G)

- (Optional) Secure other bottom bracket location using the included self tapping bolts by using hole as guide and drill hole using a 5/16" drill bit, then install self tapping bolt. For CJ you would use the outer (2) hole, for YJ and TJ you would use the inner (1) hole. (Fig G)
- Tighten all hardware completely at this time

Compliment your new rear bumper with other quality Smittybilt parts.



Soft Goods



Winches



Bumpers

Limited Warranties

Smittybilt's products are covered under the following limited warranties only. Note that the duration of the limited warranty differs according to the material and finish of the product purchased. Subject to the duration and conditions of the limited warranty stated below, Smittybilt warrants to the original retail purchaser that its products are free from defects in material and workmanship. All other warranties and representations express or implied, are hereby disclaimed, including fitness for merchantability and buyer's intended use or purpose. All parts are sold "AS IS" except for the limited warranties granted herein. Buyer assumes all risks as to the selection, suitability and performance of all goods and products selected. This limited warranty does not cover damage or impairment in any part due to misuse, improper installation, accident or contact with on-road or off-road hazards, product modification, improper or inadequate cleaning and/or maintenance. Smittybilt is not responsible for items damaged during shipping. This warranty is not transferable from the original buyer. For the original Buyer to be eligible for the limited warranty coverage, the Buyer must provide proof of purchase. Smittybilt strongly recommends returning the warranty registration card.

Customer's remedy hereunder shall be limited only to repair or replacement (at Smittybilt's option) of any defective part(s) returned to Smittybilt at customer's expense. The determination of whether or not a returned part is defective or subject to coverage under the limited warranties stated herein shall be made at Smittybilt's sole discretion.

Limited Five (5) Year / 50,000 Mile Pro-Rata Warranty (whichever occurs first) on Dual-Stage Powder Coating Products -

Smittybilt dual-stage powder coated products carry the foregoing limited repair or replacement warranty for a period of (5) years or 50,000 miles (whichever occurs first) from date of purchase against workmanship and defects in the material, provided that any claim submitted after (2.5) years from date of purchase shall, if accepted, be satisfied by Smittybilt offering customer a credit on the purchase of a replacement product equal to fifty percent (50%) of customer's initial purchase price.

To assure product quality, Smittybilt reserves the right to change product design, material, specification and finishes without prior notice to customers. This limited warranty gives you specific legal rights and you may also have other rights, which may vary from state to state. Some states do not allow limitations on how long an implied warranty lasts, so the above limitations may not apply as to you. Also, some states do not allow the exclusion or limitation of incidental or consequential damages, so the above limitations or exclusions may not apply to you. Smittybilt reserves the right to discontinue product lines and substitute products, or provide other remedies than those listed in this limited warranty for those discontinued products.

Warning

Rollover and other types of vehicle accidents may result in serious injury or death to you, your passengers and others sharing the road. Smittybilt accessories are decorative and are not intended to reduce or avoid injury or damage in the event of an accident. The weight and location of Smittybilt accessories may affect your vehicles' handling, stability and performance, creating an increased risk of accident or rollover. Before installing any accessory, check state laws and assure that the accessory will not obscure any lights or interfere with proper operation on your vehicle's safety equipment. Consult your owner's manual and the Smittybilt instructions, or additional safety information. Smittybilt products, nor the warnings contained herein, are not a substitute for your safe driving. Don't drink and drive, always use seat belts and don't drive faster than conditions permit.