



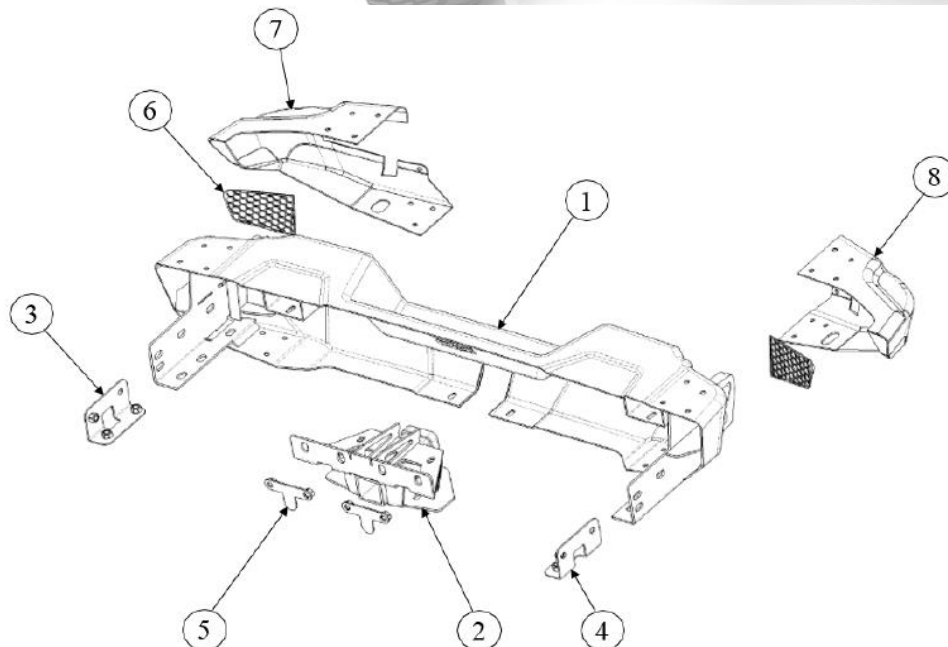
WWW.SMITYBILT.COM

Stryker Rear Bumper
2007-2018 JK
Part # 76732

NOTE: Carefully read entire instructions thoroughly before attempting to install this part.

CAUTION: This bumper is not rated for towing. It is “accessory” friendly only i.e. bike rack, hitch step, receiver rack.

Note: Relocation bracket part # S/B 3721 of HD Pivot tire carrier part # S/B2843, sold separately, will be required if installing a spare tire larger than 33”



For Technical Support/Warranty Information please call 310-762-9944
Smittybilt, 400 W Artesia, Compton, CA 90220



Stryker Rear Bumper 2007-2018 JK Part # 76732

Periodically check torque of all hardware.

Parts Included	Qty	ID
76732-1 BUMPER	1	1
76732-2 HITCH RECEIVER	1	2
76732-3 FRAME NUT PLATE, PASS	1	3
76732-4 FRAME NUT PLATE, DRIVER	1	4
76732-5 NUT PLATE	2	5
76732-6 MESH PANEL	2	6
76732-7 WING, PASS	1	7
76732-8 WING, DRIVER	1	8

Hardware	Qty
M8 x 20mm button head bolt	16
M8 nylock nut	18
M8 lock washer	16
M8 flat washer	20
M12 x 100mm hex head bolt	4
M12 flat washer	4
M12 x 35mm hex head bolt	6
M12 x 24mm flat washer	8
M12 x 37mm flat washer	8
M12 nylock nut	6
M8 x 30mm hex head bolt	2
M10 x 35mm hex head bolt	4
M10 flat washer	8

Step 1 : Remove the factory rear bumper and hardware from the vehicle. Consult owner's manual as necessary.

Step 2 : On both sides, slide nut plate (**93-315DV003**) into the inside of the rear frame rail. (Fig A) Align threaded holes in the nut plate with the oblong holes in the frame. Fig A.





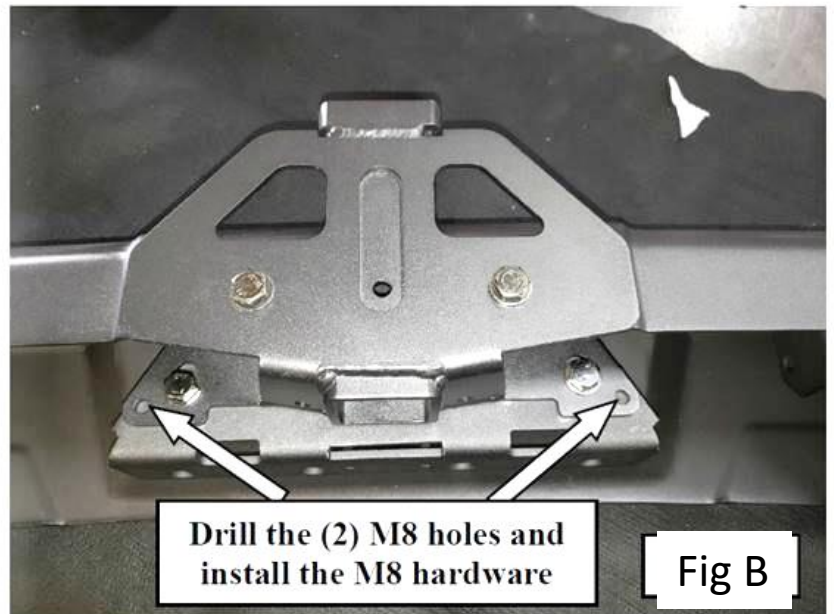
WWW.SMITTYBILT.COM

**Stryker Rear Bumper
2007-2018 JK
Part # 76732**

Periodically check torque of all hardware.

Step 3: Install the hitch bracket to the center section of the Stryker rear bumper using the (8) M12 x 30mm hex bolts, (16) M12 flat washers and (8) M12 nylock nuts, align and torque the M12 bolts to 80 ft-lb. Fig B,

Step 4: Using the hitch as a template, mark and drill the (2) M8 holes in the corners fo the hitch receiver bracket. Be sure to paint holes with a high quality paint to prevent corrosion. Then secure with M8 hardware. Fig B&C.



Step 5 : **NOTE: This step might require 2 people.** Carefully raise the rear bumper against the outer frame rails. Secure to the outer frame rails and previously installed nut plates (93-315DV003) using the (2) supplied **M8 X 30** bolts and washers in the smaller holes driver and the (2) supplied **M12 X 35** bolts and washers in the larger holes. Leave the bolts loose at this time. (Fig D)

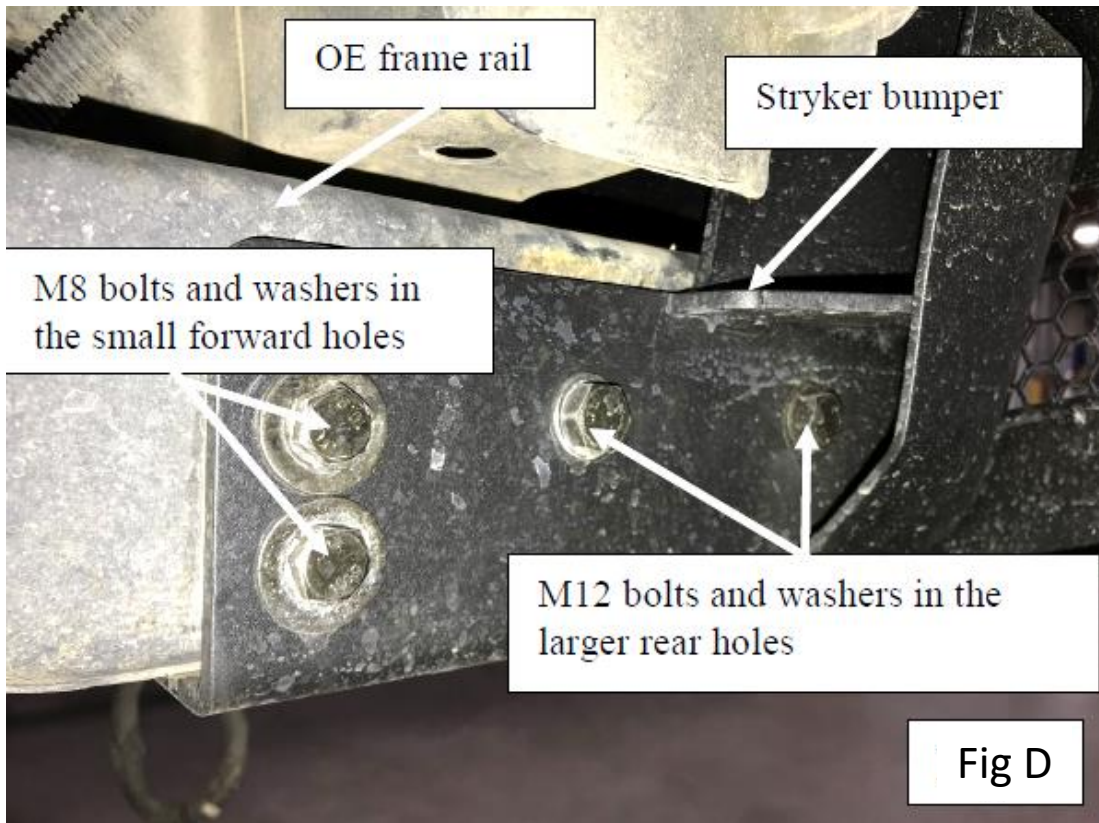




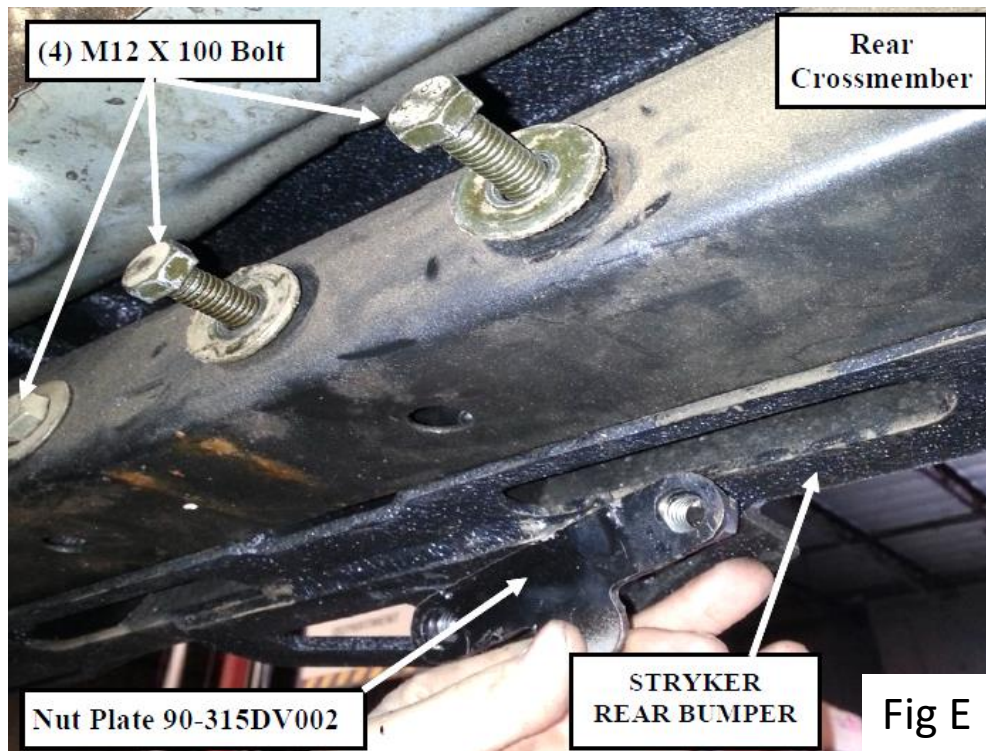
WWW.SMITTYBILT.COM

**Stryker Rear Bumper
2007-2018 JK
Part # 76732**

Periodically check torque of all hardware.



Step 6: Insert the **(2)** nut plates (**90-315DV002**) into the center **(4)** holes in the rear bumper. (Fig E)





WWW.SMITYBILT.COM

**Stryker Rear Bumper
2007-2018 JK
Part # 76732**

Periodically check torque of all hardware.

Step 7: Level the bumper then tighten the rear bumper to the rear frame crossmember using the (4) supplied M12 x 100mm bolts, washers and previously installed nut plates. Torque to 80 ft-lb. Then tighten the M12 side frame mount bolts to 80 ft-lb.

Detach outer wings to make the Stryker a narrow bumper by removing the M6 screws securing it in place. Replace screws afterwards and tighten to 7ft=lbs.



Fig F

Note: Relocation bracket part # S/B 3721 of HD Pivot tire carrier part # S/B2843, sold separately, will be required if installing a spare tire larger than 33"

Step 8: Periodically check torque of all hardware.



WWW.SMITYBILT.COM

**Stryker Rear Bumper
2007-2018 JK
Part # 76732**

Periodically check torque of all hardware.



THIS BUMPER HAS PROVISIONS TO INSTALL S4 STYLE POD LIGHTS (SOLD SEPARATELY)

Fig G



WWW.SMITTYBILT.COM

Stryker Rear Bumper
2007-2018 JK
Part # 76732

Bolt Torque and ID						
Decimal System			Metric System			
All Torques in Ft. Lbs. Maximums						
Bolt Size	Grade 5	Grade 8	Bolt Size	Class 9.8	Class 10.9	Class 12.9
5/16	15	20	M6	5	9	12
3/8	30	45	M8	18	23	27
7/16	45	60	M10	32	45	50
1/2	65	90	M12	55	75	90
9/16	95	130	M14	85	120	145
5/8	135	175	M16	130	165	210
3/4	185	280	M18	170	240	290

1/2-13x1.75 HHCS
D T L X

Grade 5 Grade 8
 (No. of Marks + 2)

M12-1.25x50 HHCS
D T L X

G = Grade (Bolt Strength)
 D = Nominal Diameter (Inches)
 T = Thread Count (Threads per Inch)
 L = Length (Inches)
 X = Description (Hex Head Cap Screw)

P = Property Class (Bolt Strength)
 D = Nominal Diameter (Millimeters)
 T = Thread Pitch (Thread Width, mm)
 L = Length (Millimeters)
 X = Description (Hex Head Cap Screw)

WARNING: Cancer and Reproductive Harm -
www.P65Warnings.ca.gov

Jeep, Wrangler, Rubicon, Renegade, JL, JK, TJ, YJ CJ, QuadaTrac and the Jeep Grille Design are Registered trademarks of FIAT Chrysler Automotive (FCA)



WWW.SMITYBILT.COM

**Stryker Rear Bumper
2007-2018 JK
Part # 76732**

Limited Warranties

Smittybilt's products are covered under the following limited 5 year finish/ limited lifetime structural warranties only. Note that the duration of the limited warranty differs according to the material and finish of the product purchased. Subject to the duration and conditions of the limited warranty stated below, Smittybilt warrants to the original retail purchaser that its products are free from defects in material and workmanship. All other warranties and representations express or implied, are hereby disclaimed, including fitness for merchantability and buyer's intended use or purpose. All parts are sold "AS IS" except for the limited warranties granted herein. Buyer assumes all risks as to the selection, suitability and performance of all goods and products selected. This limited warranty does not cover damage or impairment in any part due to misuse, improper installation, accident or contact with on-road or off-road hazards, product modification, improper or inadequate cleaning and/or maintenance. Smittybilt is not responsible for items damaged during shipping. This warranty is not transferable from the original buyer. For the original Buyer to be eligible for the limited warranty coverage, the Buyer must provide proof of purchase. Smittybilt strongly recommends returning the warranty registration card.

Customer's remedy hereunder shall be limited only to repair or replacement (at Smittybilt's option) of any defective part(s) returned to Smittybilt at customer's expense. The determination of whether or not a returned part is defective or subject to coverage under the limited warranties stated herein shall be made at Smittybilt's sole discretion.

To assure product quality, Smittybilt reserves the right to change product design, material, specification and finishes without prior notice to customers. This limited warranty gives you specific legal rights and you may also have other rights, which may vary from state to state. Some states do not allow limitations on how long an implied warranty lasts, so the above limitations may not apply as to you. Also, some states do not allow the exclusion or limitation of incidental or consequential damages, so the above limitations or exclusions may not apply to you. Smittybilt reserves the right to discontinue product lines and substitute products, or provide other remedies than those listed in this limited warranty for those discontinued products.

Warning

Rollover and other types of vehicle accidents may result in serious injury or death to you, your passengers and others sharing the road. Smittybilt accessories are decorative and are not intended to reduce or avoid injury or damage in the event of an accident. The weight and location of Smittybilt accessories may affect your vehicles' handling, stability and performance, creating an increased risk of accident or rollover. Before installing any accessory, check state laws and assure that the accessory will not obscure any lights or interfere with proper operation on your vehicle's safety equipment. Consult your owner's manual and the Smittybilt instructions, or additional safety information. Smittybilt products, nor the warnings contained herein, are not a substitute for your safe driving. Don't drink and drive, always use seat belts and don't drive faster than conditions permit.