



WWW.SMITTYBILT.COM

Installation Instructions

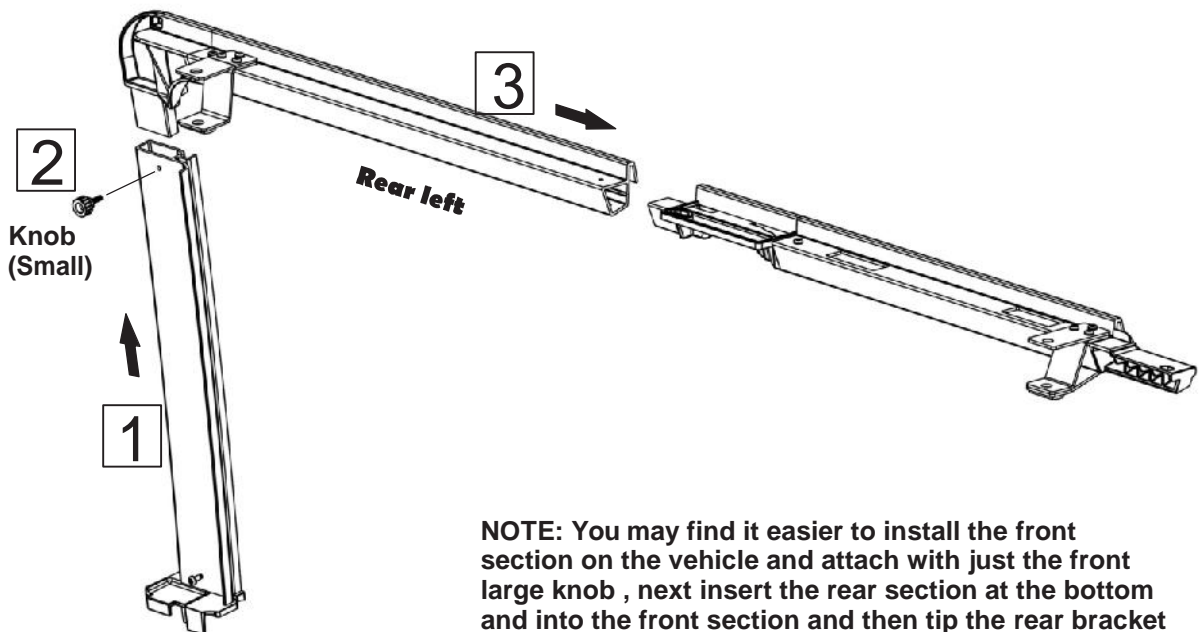
Door Surrounds
JK Unlimited (4-Door)

Parts Included	Qty
Left Upright	1
Right Upright	1
Left Front Section	1
Right Front Section	1
Small Knob	2

Parts Included	Qty
Left Rear Section	1
Right Rear Section	1
Large Knob (Short Shaft)	2
Large Knob (Long Shaft)	2

NOTE: Read instructions entirely before assembling and installing this part.

- 1) Insert left upright into left rear section and use small knob to lock the two parts together.
- 2) Insert the front left section onto the rear assembly from the previous step and install on vehicle.
- 3) Use the large knobs with the long shafts on the front and rear locations and the large knob with the short shaft in the middle to mount point.
- 4) Repeat installation for other side.



NOTE: You may find it easier to install the front section on the vehicle and attach with just the front large knob, next insert the rear section at the bottom and into the front section and then tip the rear bracket onto the roll bar. Now install the last two knobs (one long shaft one short).

For Technical Support/Warranty Information please call 310-762-9944

Smittybilt, 400 West Artesia Blvd, Compton, CA 90220



WWW.SMITTYBILT.COM

Installation Instructions

Door Surrounds
JK Unlimited (4-Door)



NOTE: Pay close attention to the rubber gasket at the top of the windshield and how the front section inserts into it. The picture to the left shows how it should fit.



NOTE: Also be careful in the middle to make sure the rubber is correctly wrapped around the plastic center section before the center knob is installed.

For Technical Support/Warranty Information please call 310-762-9944

Smittybilt, 400 West Artesia Blvd, Compton, CA 90220